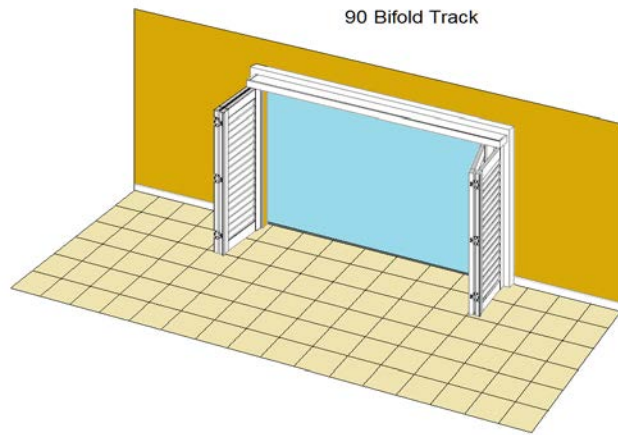


90° Bifold Track System

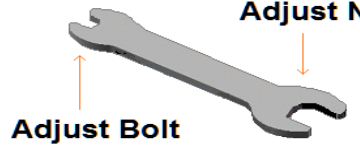
Outside Mount Installation Instructions



Tools



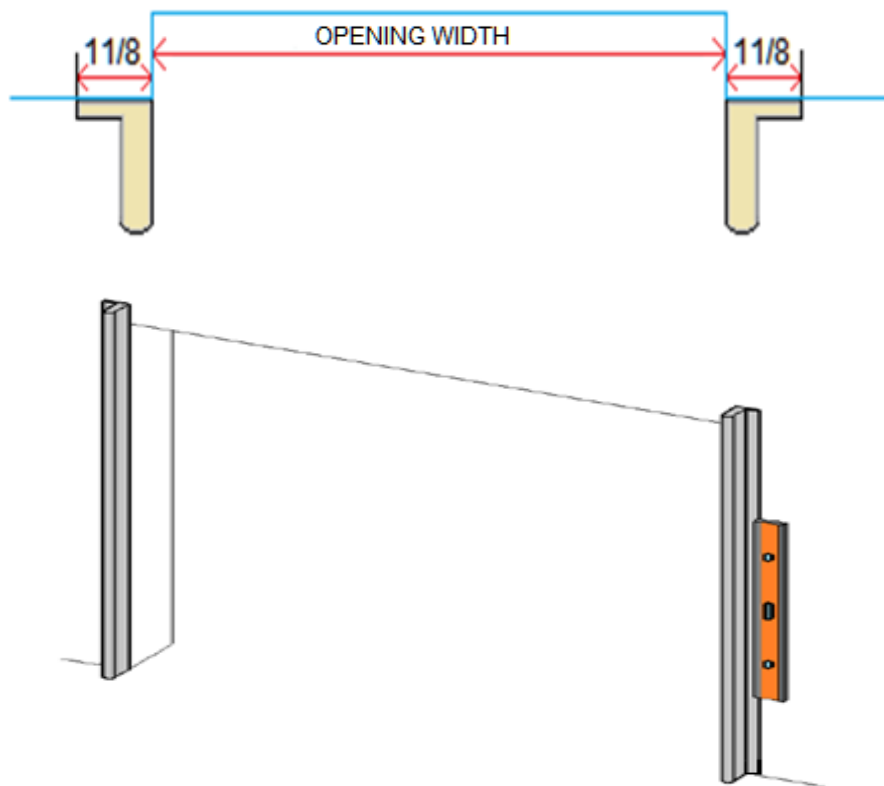
Included Hardware

Hardware	Quantity
Carrier Bolt and Nut Wrench	 Adjust Bolt Adjust Nut
Hinge Pins	Corresponds to number of panels
Bottom Pivot Bracket	1 per side
Bottom Pivot Bracket Screws	2 for each bottom bracket



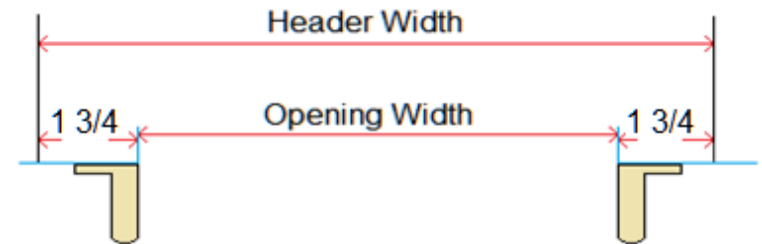
Step 1: Install L-Shaped Light Block:

Install the L-Shaped Light Block even with the left and right side of the opening as shown in the diagram below. Check for vertical plum with a level.

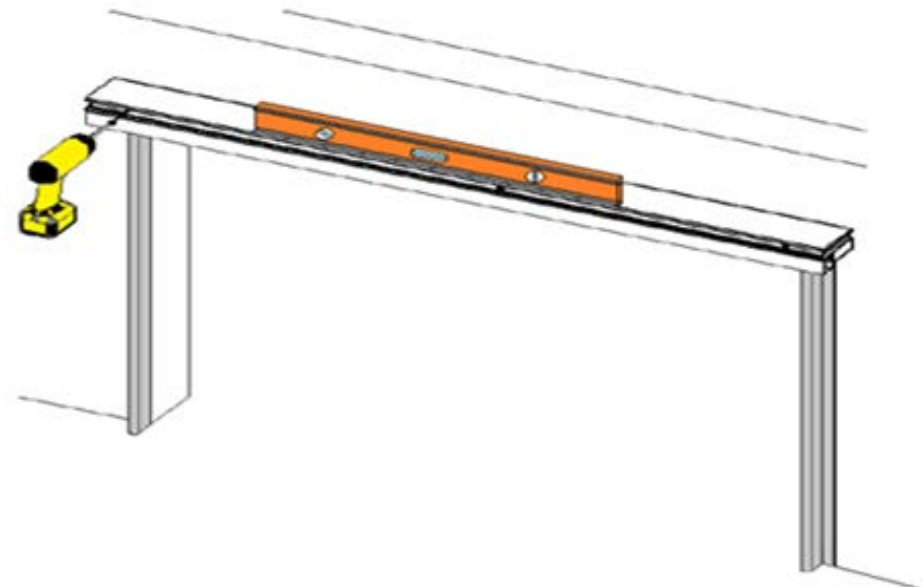


Step 2: Install Header

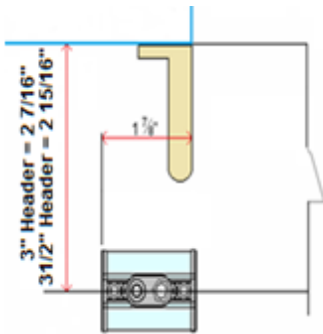
To position the **Header**, measure 1 3/4" from the Inside Light Stop edge on each side and make a mark.



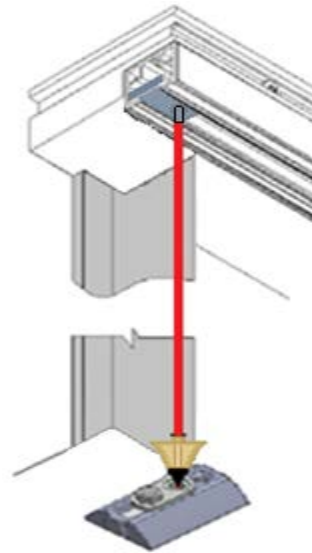
Position the **Header** on top of the **Light Block** and between the marks. Use a **Level** to ensure the **Header** sits level horizontally. Once the **Header** is positioned correctly, secure with screws into the pre-drilled holes in the notch of the **Header** as shown below.



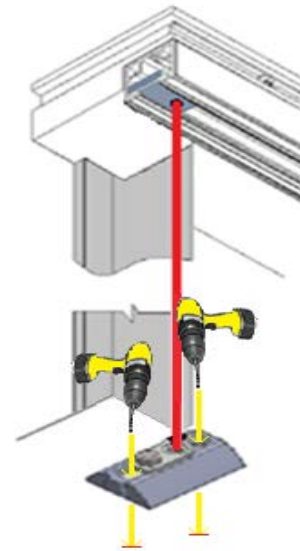
Step 3: Aligning and Anchoring the Top and Bottom Pivot Brackets



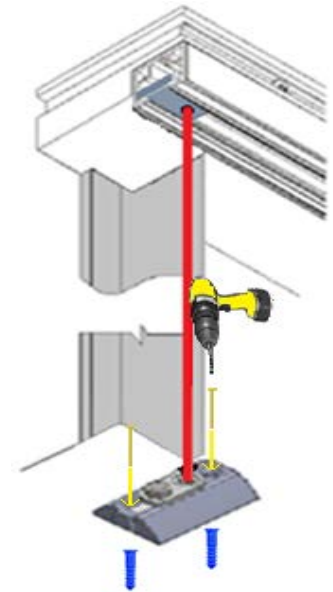
The Diagram above illustrates the placement of the bottom pivot when using a 3" or a 3 1/2" header.



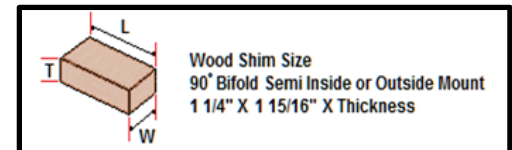
A Plumb Bob can be used to align the Top and Bottom Pivots.



Once the Top and Bottom pivots are aligned, mark and drill two anchor holes using a masonry bit 1" deep into the concrete.

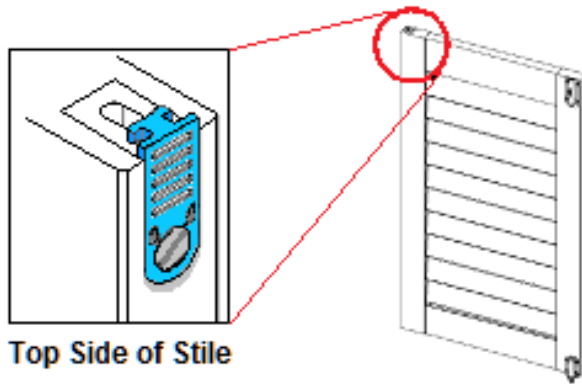


Two screws and two anchors can be used to secure the bottom pivot to the floor. A wood shim may also be used to lift the pivot up on carpeted floors.



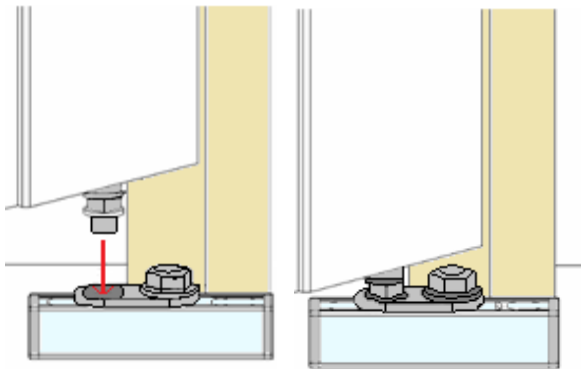
Step 4: Locate Panel Hanger Cap

First, locate the **Panel Hanger** at the top of the panel



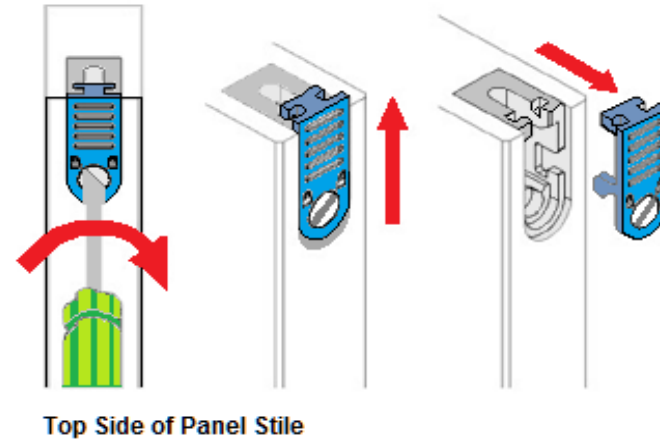
Step 6: Seat Bottom Pin

Seat the **Pin** in the bottom of the **Panel** into the **Bottom Pivot** as shown below.



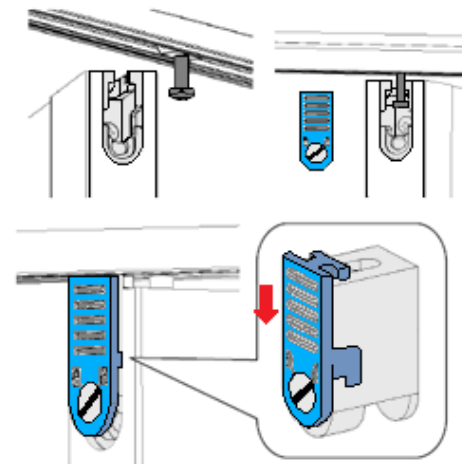
Step 5: Remove Panel Cap

Remove the cap on the **Panel Hanger**. To remove, loosen the **Button Screw** on the cap by turning clockwise. Then lift the cap **up**, and then gently pull **outward** as shown. Put the cap aside.



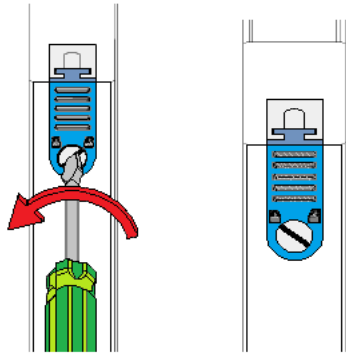
Step 7: Seat Top Wheel Carrier Pin

Seat the **Wheel Carrier** into the **Panel Hanger** for all **Panels**. Then insert the cap into all **Panels**. Slide the cap downwards.



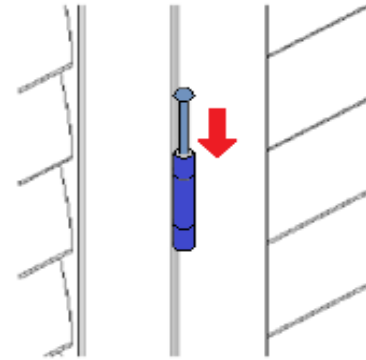
Step 8: Panel Hanger Cap

When the screw cap is fit into place, secure it by turning the **Button Screw** counter-clockwise to lock.



Step 9: Attach Panels with the Hinge Pins

Insert the **Hinge Pin** into the barrel of the hinge to connect the panels according to the panel numbers from left to right.



Step 10: Adjust Top Gap and Align Panels

First, adjust panel carriers so that all the panel tops are level with one another. Check for squareness.

Measure both diagonals of the installed panels. If both diagonals are equal, the setup is square.

If not, make the adjustments **now**.



Step 11: Install the Fascia

For **Woodlore**, **Woodlore Plus**, and **Brightwood** just insert the **Fascia** as pictured, by pressing the lip on the back of the **Fascia** into the groove of the



For **Woodbury**, **Normandy** and **Sussex / Norman Teak**, the **Fascia** is connected to the **Header** with Double Sided sticky pads.

The **Fascia Returns** for **All** products are connected to the **Header** with dowels and or pads.

