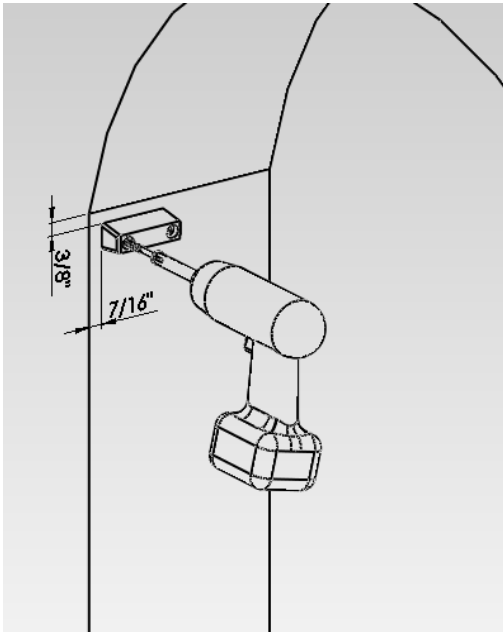


NORMAN®

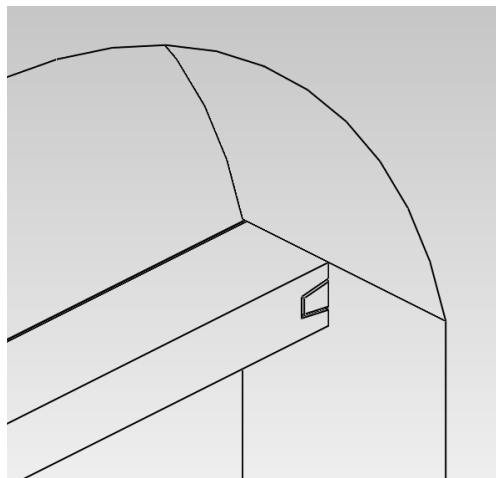
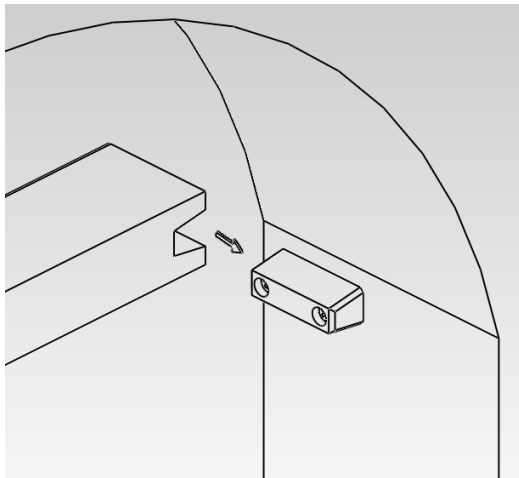
Installation Instructions: Palladian Shelf

Parts Included: (1) x Palladian shelf, (2) x Trapezoidal Blocks (one for each end of Palladian Shelf), (4) x M4.5X63.5mm screws, (2) x M4X20mm screws

1. Fix the Trapezoidal Blocks to the wall with M4.5X63.5mm screws. Use two screws per block.



2. Align the mouth of the Palladian Shelf to the Trapezoidal Block and push it in.



3. After pushing the Palladian Shelf into the Trapezoidal Blocks, use the M4X20mm screws to fix the Palladian Shelf and Trapezoidal Block on both sides. One screw per side

