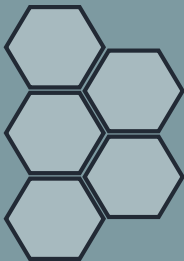


**NORMAN**<sup>®</sup>  
SHUTTERS. BLINDS. SHADES.



**PORTRAIT**<sup>®</sup>  
**HONEYCOMB SHADES**

Program Reference Guide  
August 2019

## **NEW** 2019 Portrait® Honeycomb Program Highlights

- ❖ Includes 6 honeycomb cell sizes: 3/8" Single, 3/4" Single, 3/4" Double, 1 1/4" Single, and introducing 9/16" Single and 1/2" Double
- ❖ SmartFit™ is available in all cell sizes. *(Excluding OM for 3/4" Double and OM for 1 1/4" Single)*
- ❖ Fabrics come in 3 Opacity Levels: Sheer, Light Filtering\* and Room Darkening
  - \* For 9/16" Single Cell fabrics that are labeled as Light Filtering– please note that these particular fabrics may appear slightly more opaque than other LF fabrics found in other cell sizes.
- ❖ New fabric color options (See Appendix for Honeycomb Color Coordination Chart)
- ❖ All 51 Normandy® color options available for Decoflex™

### Revision Log

Date	Revision
5/13/2019	Pg. 18-22: Updated Decoflex info (deductions, PureVu color availability) Pg. 37: Updated control position info for TD & TD Day & Night shades Pg. 43: Updated pole size
7/10/2019	<a href="#">Pg. 30, 38</a> : Extended cordless shades max to 120", in select cell sizes only (3/4" single, 1/2" double cell, 3/4" double and 1 1/4" single). Max cordless size for 3/8" single & 9/16" single cell has not changed.
8/12/2019	<a href="#">Pg. 42</a> : Added 13 optional colors for Magnetic Hold Down <a href="#">Pg. 43</a> : Added 53" pole size  Appendix – Color Coordination Chart: Added black cord for select colors on SmartFit™ shades

## Table of Contents

	Page
Features & Benefits . . . . .	4
<b>Selecting a Shade</b>	
Lift Systems . . . . .	5 – 25
Motorization . . . . .	26 – 27
Specialty Shapes . . . . .	28
Option Reference Chart . . . . .	39
<b>General Specifications</b>	
Size Considerations . . . . .	30
Standard Deductions . . . . .	31
Estimated Fabric Stacking Heights . . . . .	32 – 34
Minimum Mounting Depth . . . . .	35 – 36
<b>Options &amp; Parts</b>	
Control Position . . . . .	37
2 on 1 Shades . . . . .	38
Cut-outs . . . . .	39 – 40
Rail Colors . . . . .	41
Additional Options . . . . .	42
Parts & Accessories . . . . .	43
Mounting Hardware . . . . .	44
Product Care . . . . .	45
<b>Available Fabrics</b>	
Fabric Color Options and Color Coordination Chart . . . . .	Appendix



## Features & Benefits

### Features

### Benefits

#### Sleeker, Stronger Headrail

- Light yet extremely sturdy with color coordination to the fabric
- Sleek and space-saving profile
- Resilient components for worry-free operation

#### Unique D-Cell Structure

- Creates perfect pleats for long-lasting beauty
- Remarkable strength even in hot, sunny or humid climates

#### Various Cell Sizes, Light Control Options and Colors

- 3/8" single, 1/2" double, 3/4" single, 3/4" double, 1 1/4" single, and 9/16" Single
- Offered in Sheer, Light Filtering, Semi-Opaque and Room Darkening for light and privacy control
- Flame resistant fabrics and designer prints available

#### Child Safe & Flame Resistant

- Cordless lift system provides a safer option
- Patented child and pet safe cord release device
- Flame resistant fabrics available for added peace of mind

**Cordless:** Easy to operate and eliminates cords for added beauty and safety.

**Standard Cord:** Offers smooth and consistent ease of operation.

**Top-Down Bottom-Up (Corded & Cordless):** Adjust your lighting preference and control your privacy level by lowering shades from the top to let in natural light, or raising them from the bottom like a traditional shade.

**SmartFit™:** Tight fit on French doors and sloped windows to minimize light leakage and maximize privacy.

#### Superior Lift Systems

**Decoflex™:** Framed – Tight fit on French doors or any window minimizing light leakage

**Cord Loop:** Features unique clutch system making raising and lowering easier. Available in standard cord loop, Top Down and Day/Night

**SmartRelease™:** Allows the shade to be released or lowered from an upward position with a gentle pull.

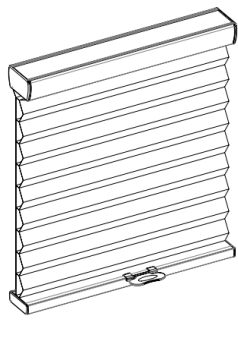
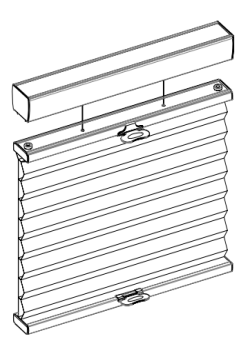
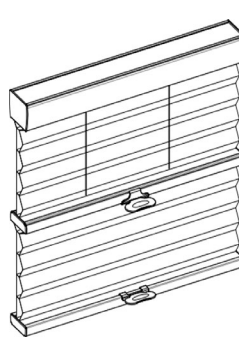
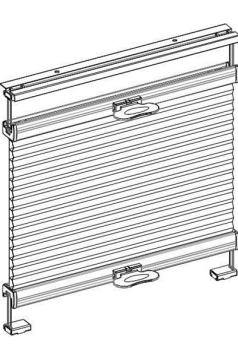
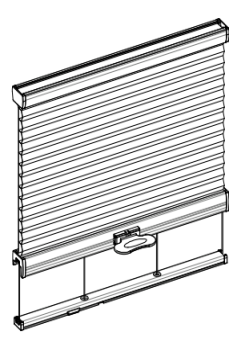
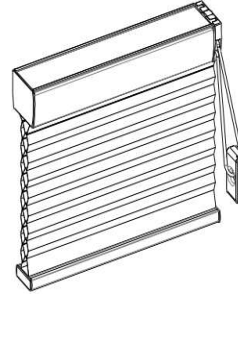
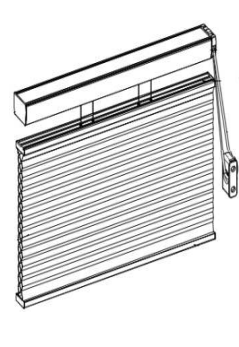
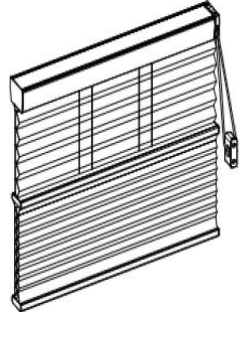
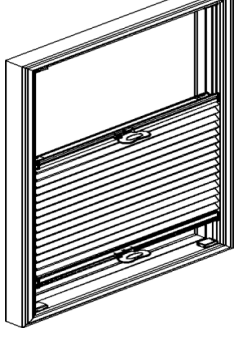

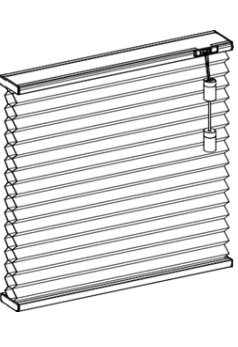
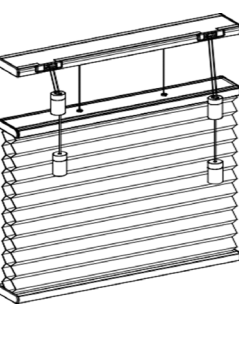
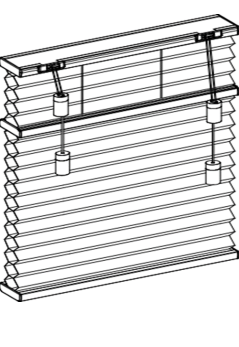
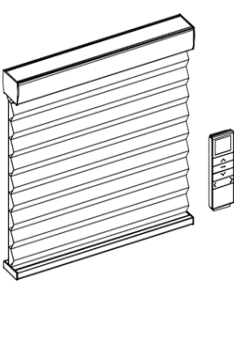
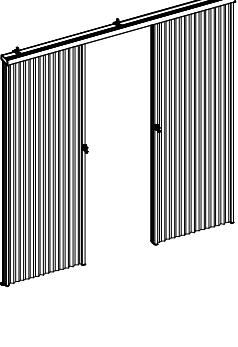
**Patio Door Vertical Honeycomb Shades:** Perfect solution for sliding doors or large windows

**Motorization:** RF system; available in Bottom Up, Top Down and Day/Night



# Portrait™ Honeycomb Shades

## Lift Systems

Cordless	Cordless TDBU	Cordless Day & Night	SmartFit™	SmarFit™ for Sloped Windows
				
Cord Loop/ SmartRelease™	Cord Loop TD	Cord Loop Day & Night	Decoflex™	Decoflex for Skylights
				
Corded	Corded TDBU	Corded Day & Night	Motorized	Patio Door: Vertical/ Vertical Day & Night
				



# Portrait™ Honeycomb Shades

## Lift Systems

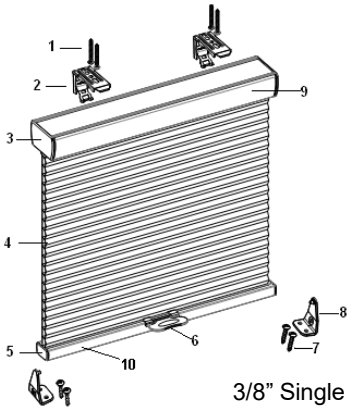
### SmartRise™ Cordless

- SmartRise™ Cordless system for precise, smooth and reliable operation . Simply lower and stop at any position to lock your shade in place.
- The perfect solution for homes with children and pets.
- Easy to operate, and eliminates cords for a streamlined appearance.

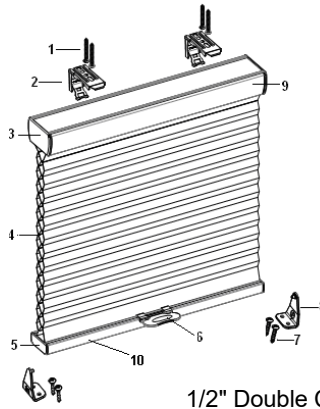
### Handles

Shade width	Qty
Width ≤ 50"	1
Width > 50"	2

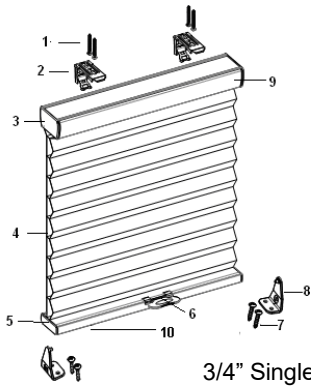
\*For 2 on 1 shades, quantity will be based on each shade separately



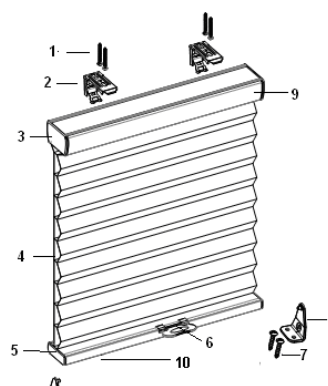
3/8" Single Cell



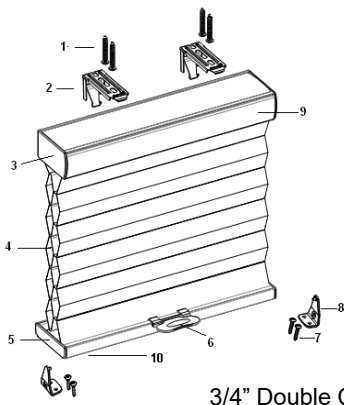
1/2" Double Cell



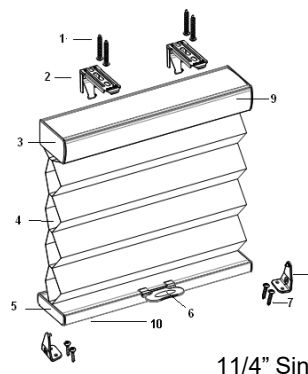
3/4" Single Cell



9/16" Single Cell



3/4" Double Cell



1 1/4" Single Cell

No	Description
1	Screws for Installation Bracket
2	Installation Bracket
3	Head Rail End Cap
4	Fabric
5	Bottom Rail End Cap
6	Handle
7	Screws for Hold Down Bracket
8	Hold Down Bracket
9	Head Rail
10	Bottom Rail

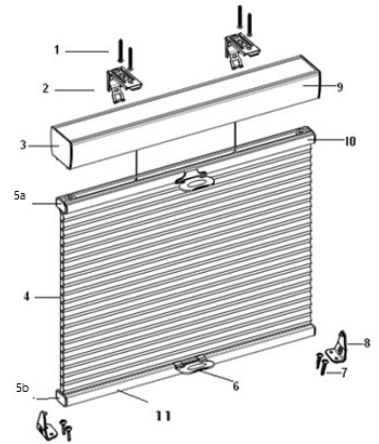


## Lift Systems

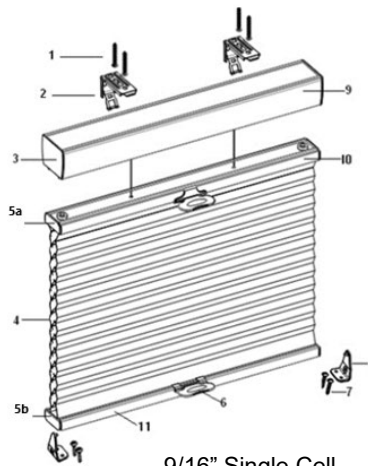
### Cordless TDBU

- Adjusts from the top or from the bottom securely.
- No dangling cords for a safer solution.
- Control light and privacy with ease.
- Available in all cell sizes

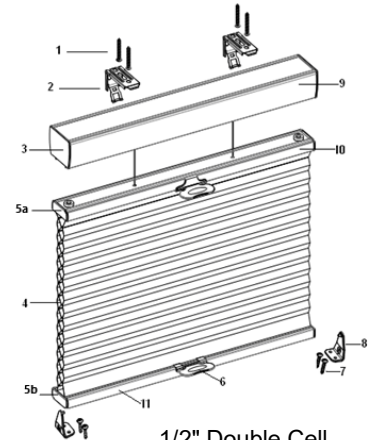
No	Description
1	Screws for Installation Bracket
2	Installation Bracket
3	Head Rail End Cap
4	Fabric
5a	Middle Rail End Cap
5b	Bottom Rail End Cap
6	Handle
7	Screws for Hold Down Bracket
8	Hold Down Bracket
9	Head Rail
10	Middle Rail
11	Bottom Rail



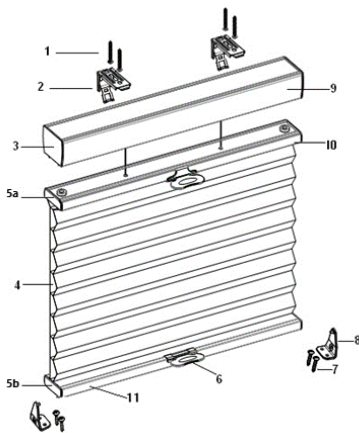
3/8" Single Cell



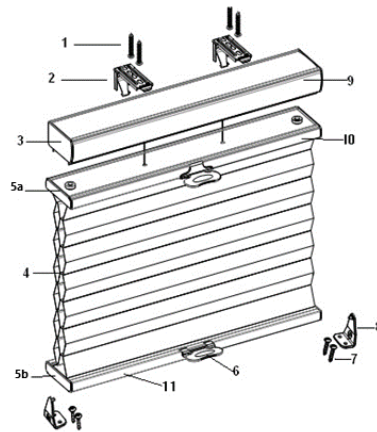
9/16" Single Cell



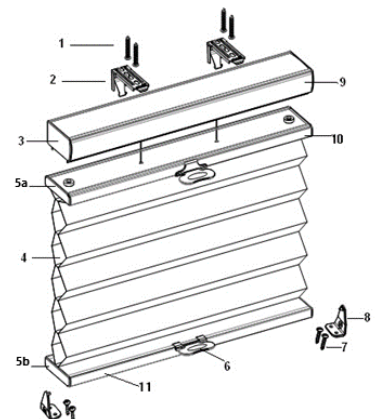
1/2" Double Cell



3/4" Single Cell



3/4" Double Cell



1 1/4" Single Cell

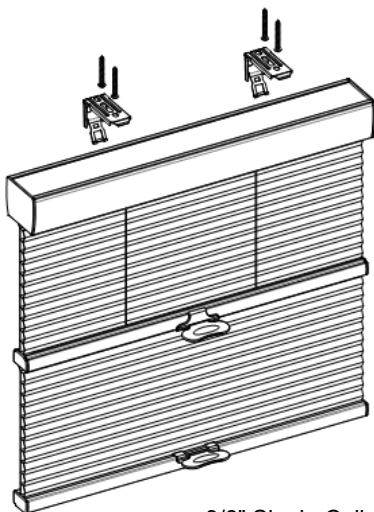
## Lift Systems

### Cordless Day & Night

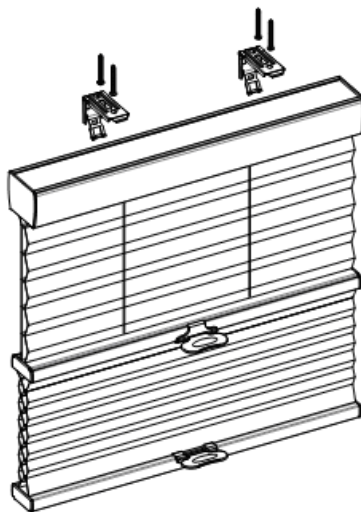
- Control the amount of light or privacy level by switching between two different fabrics.
- Sheer fabric can be on top (recommended), or bottom.

When sheer fabric ordered as the bottom, certain components in the mid rail and bottom rail may become visible through the sheer fabric when the shade is in a lowered position.

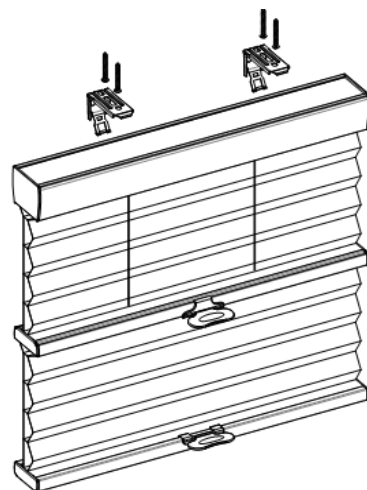
- The color of the cord coordinates with the sheer fabric.
- Available in all cell sizes



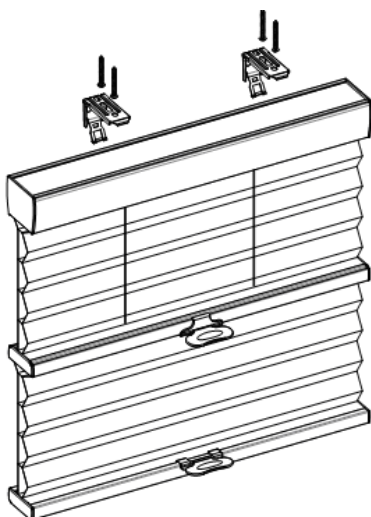
3/8" Single Cell



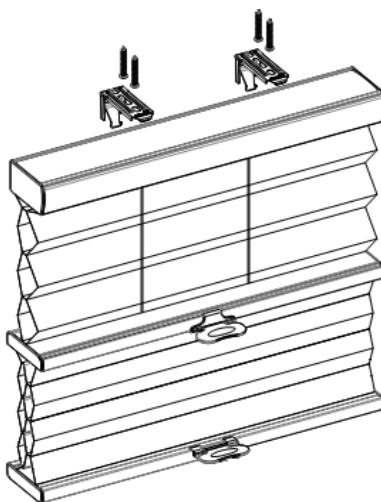
1/2" Double Cell



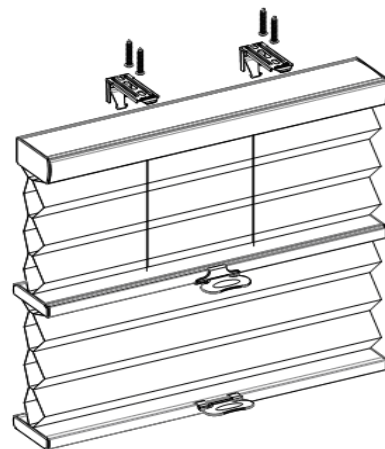
9/16" Single Cell



3/4" Single Cell



3/4" Double Cell



1 1/4" Single Cell

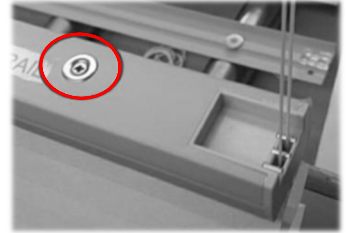


# Portrait™ Honeycomb Shades

## Lift Systems

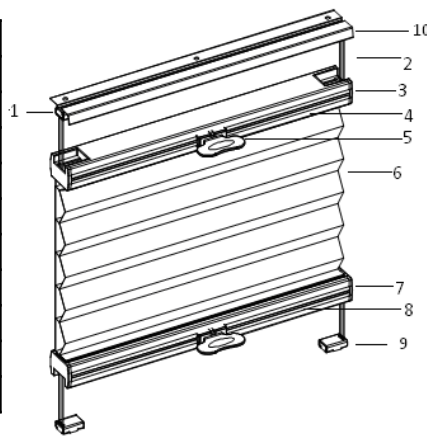
### SmartFit™

- Adjust your privacy level by lowering the shade from the top to let in natural light or raising the shade from the bottom like a traditional cordless shade.
- No dangling pull cords for enhanced child and pet safety.
- Exclusive concealed cord equalizer housing for a clean look
- Works like cordless TDBU without the cords in the center; inside or outside mount
- Available in all cell sizes
- Suitable for windows up to 15°
- For 3/4" Single & 1/2" Double only: When multiple SmartFit shades for the same window opening are ordered (or specified as side by side), magnets will be moved towards the center- not on the ends of the rails. This is to prevent shades from attracting to each other.



\*Mounting plate is required for 1 1/4" S & 3/4" D.

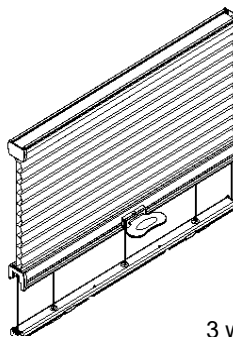
No	Description
1	Cord Equalizer Base
2	Cord
3	Headrail End Cap
4	Headrail
5	Handle
6	Blanket
7	Bottom Rail End Cap
8	Bottom Rail
9	Cord Equalizer Housing Cover
10	Aluminum Cover



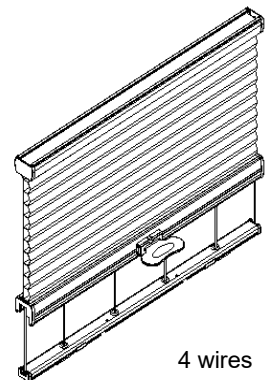
### SmartFit™ for Sloped Windows

- Available in 3/8" single cell only
- Operates as bottom up only.

Shade Width (X)	Metal Wire Qty
$8.5" \leq X \leq 31.5"$	2
$31.5" < X \leq 45.25"$	3
$45.25" < X \leq 59"$	4



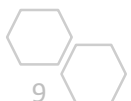
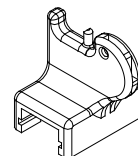
3 wires



4 wires

### Regulator

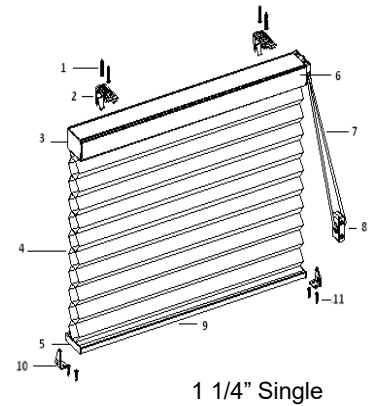
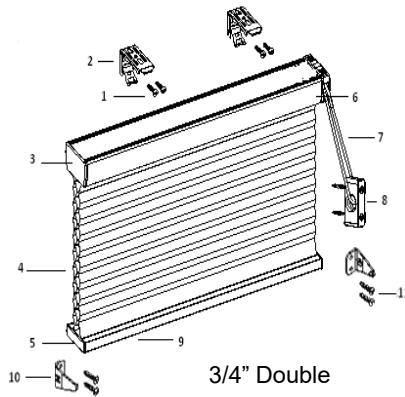
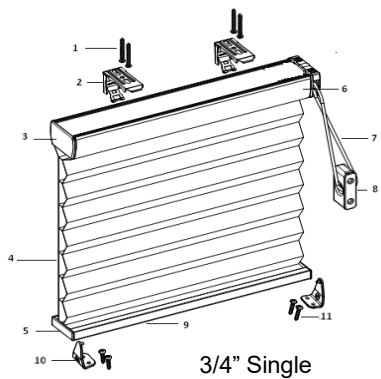
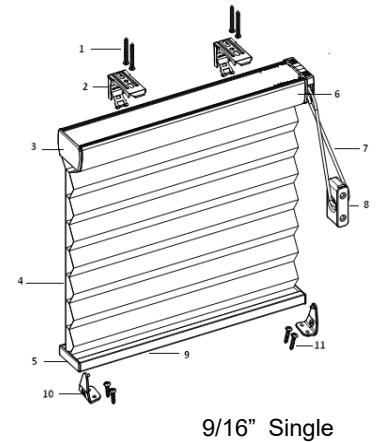
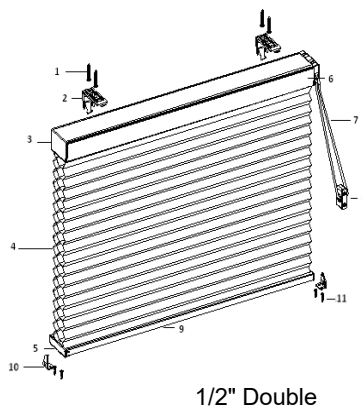
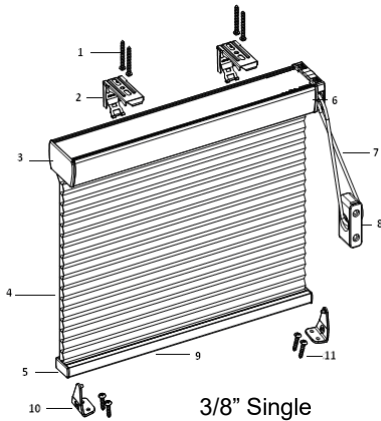
- For easier tightening of the steel wires, it is suggested to use a pair of pliers to pull the steel wire towards the bottom rail and then adjust the regulator pin to tighten the steel wire.
- Put cloth in between the pliers and steel wire in case the steel wire breaks.



## Lift Systems

### Cord Loop

- This option features a clutch that makes raising and lowering extremely wide shade easier.
- The circular cord will remain at the same length no matter which position the shade is raised. The shade can be easily adjusted to any height and will hold its position automatically.
- Covers extra wide windows.



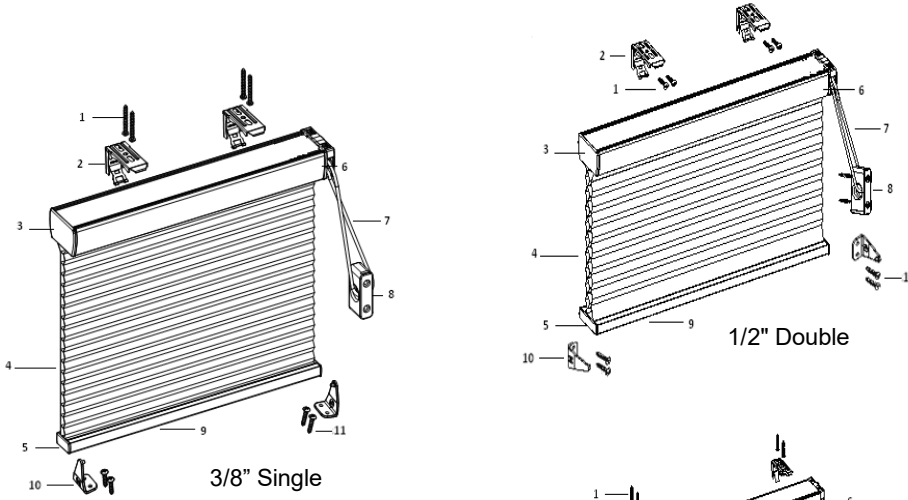
No	Description	No	Description
1	Screws for Installation Bracket	7	Cord
2	Installation Bracket	8	Tensioner
3	Head Rail End Cap	9	Bottom Rail
4	Fabric	10	Hold Down Bracket
5	Bottom Rail End Cap	11	Screws
6	Head Rail		

# Portrait™ Honeycomb Shades

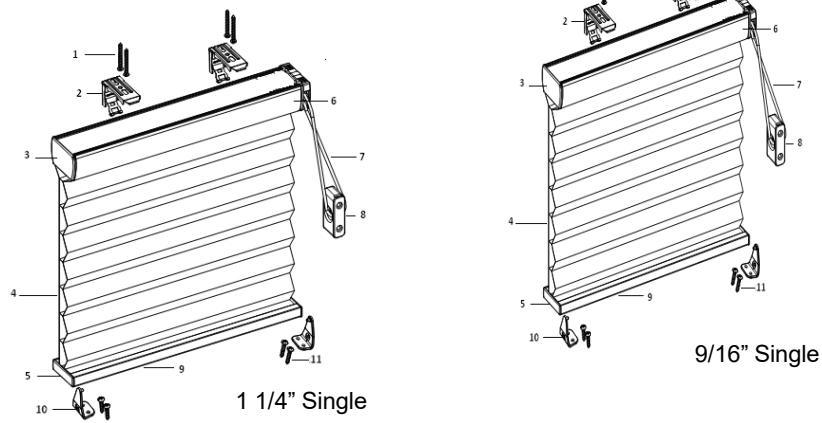
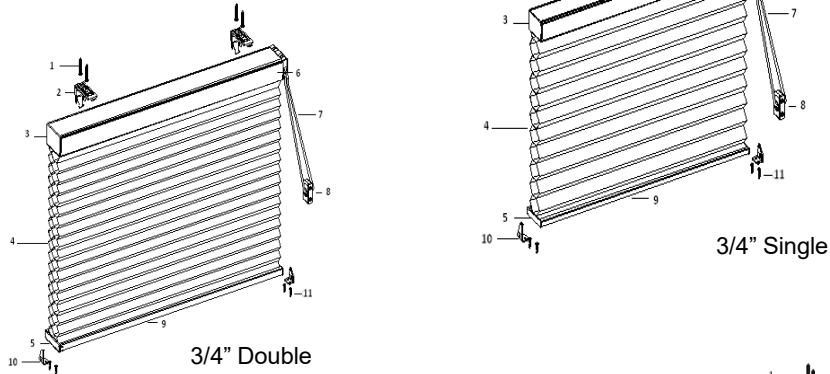
## Lift Systems

### SmartRelease™

This **exclusive** and **patent-pending** innovation to cord loop systems allows the shade to be released or lowered from an upward position with a gentle pull.



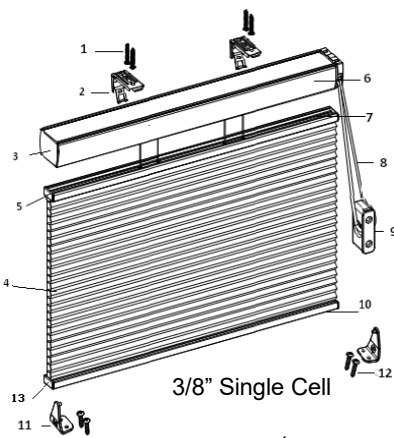
No	Description
1	Screws for Installation Bracket
2	Installation Bracket
3	Head Rail End Cap
4	Fabric
5	Bottom Rail End Cap
6	Head Rail
7	Cord
8	Tensioner
9	Bottom Rail
10	Hold Down Bracket
11	Screws for Hold Down Bracket



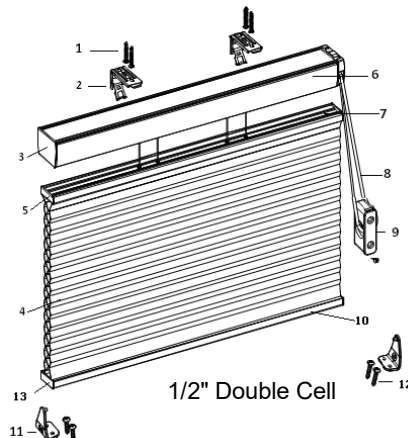
## Lift Systems

### Cord Loop Top Down

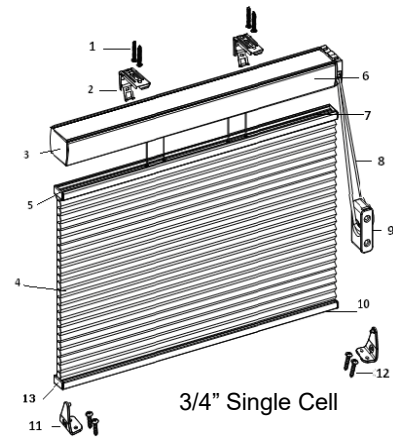
- Convenient light and privacy control by raising and lowering the mid rail.
- Easy to operate cord loop system.
- Covers extra wide windows.



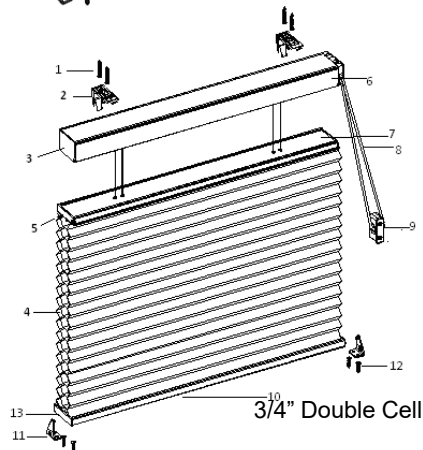
3/8" Single Cell



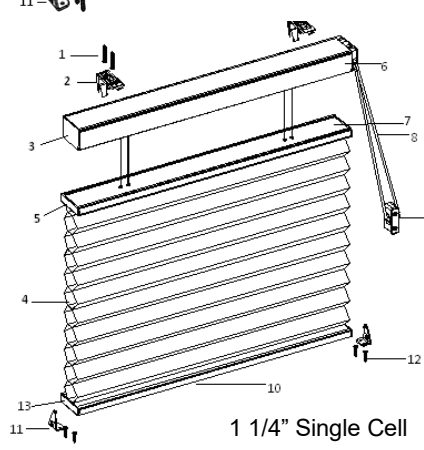
1/2" Double Cell



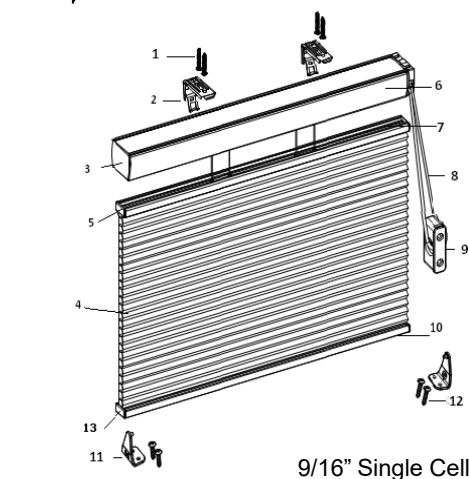
3/4" Single Cell



3/4" Double Cell



1 1/4" Single Cell



9/16" Single Cell

No	Description
1	Screws for Installation Bracket
2	Installation Bracket
3	Head Rail End Cap
4	Fabric
5	Mid Rail End Cap
6	Head Rail
7	Mid rail
8	Cord
9	Tensioner
10	Bottom Rail
11	Hold Down Bracket
12	Screws for Hold Down Bracket
13	Bottom Rail End Cap

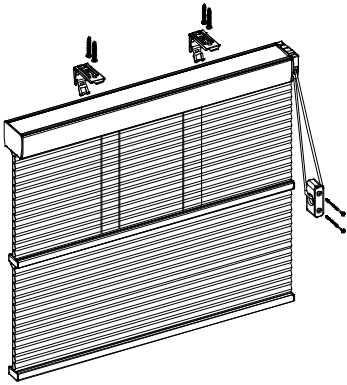
\*The shade is operated by lowering the entire shade (Middle Rail/ Fabric/Bottom Rail) down to the window sill. When the shade is lowered to the bottom of the sill, the middle rail will continue to cycle and raise upward. You can pull the middle rail to the desired position. Please note that the bottom rail is stationary on window sill when middle rail is raised in the window. You cannot raise middle rail and bottom rail or shade in the window at the same time. This is not suitable for OB.

## Lift Systems

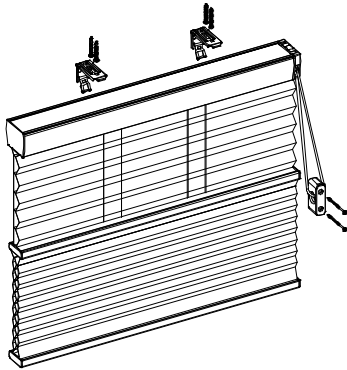
### Cord Loop Day & Night

- Control the amount of light or privacy level by switching between two different fabrics.
- Sheer fabric can be on top (recommended), or bottom.

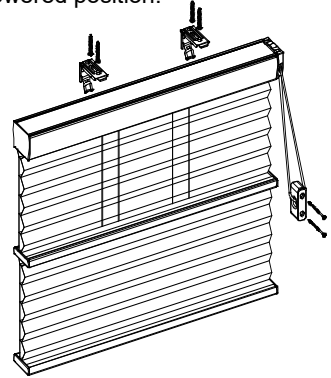
\*When sheer fabric ordered on the bottom, certain components in the mid rail and bottom rail may become visible through the sheer fabric when the shade is in a lowered position.



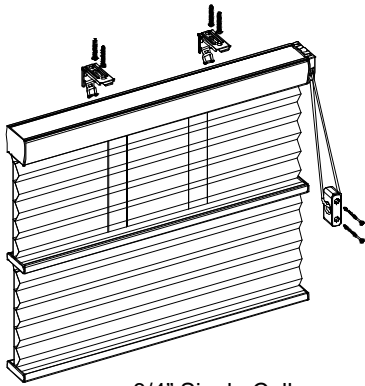
3/8" Single Cell



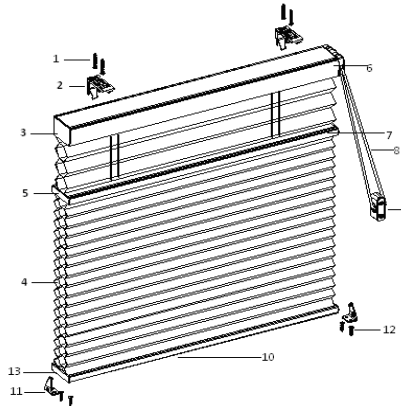
1/2" Double Cell



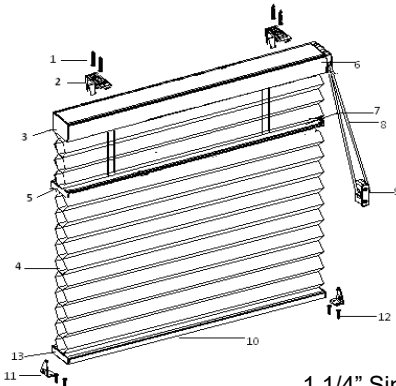
9/16" Single Cell



3/4" Single Cell



3/4" Double Cell



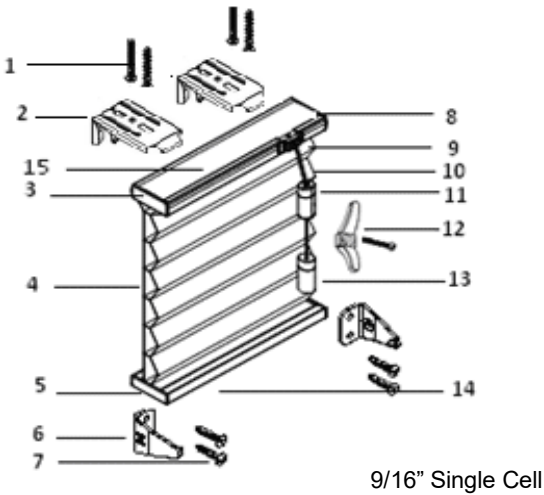
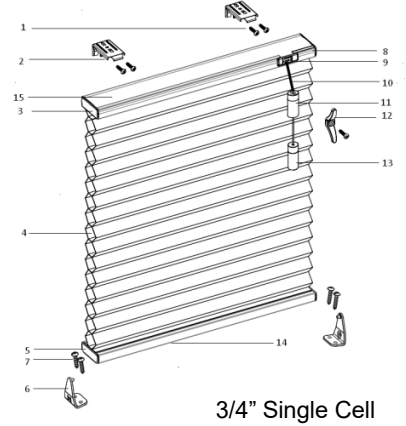
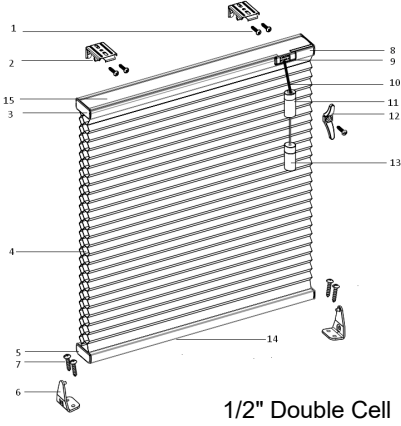
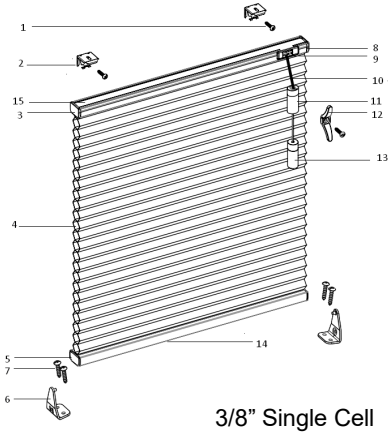
1 1/4" Single Cell

No	Description
1	Screws for Installation Bracket
2	Installation Bracket
3	Head Rail End Cap
4	Fabric
5	Mid Rail End Cap
6	Head Rail
7	Mid rail
8	Cord
9	Tensioner
10	Bottom Rail
11	Hold Down Bracket
12	Screws for Hold Down Bracket
13	Bottom Rail End Cap



## Lift Systems

### Standard Corded



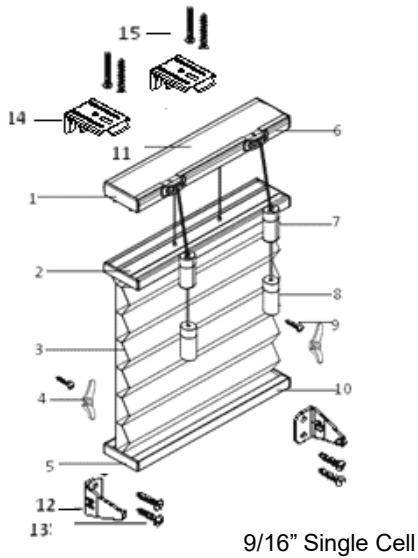
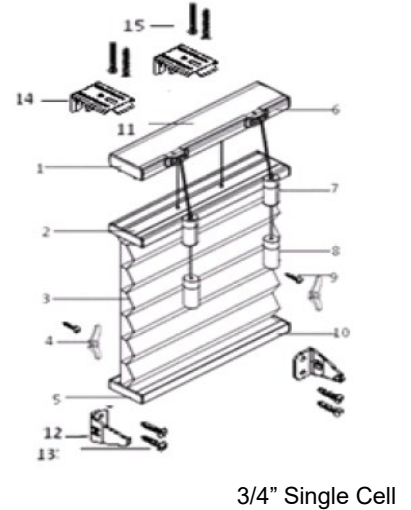
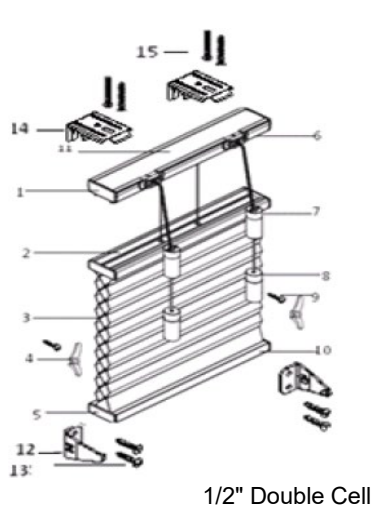
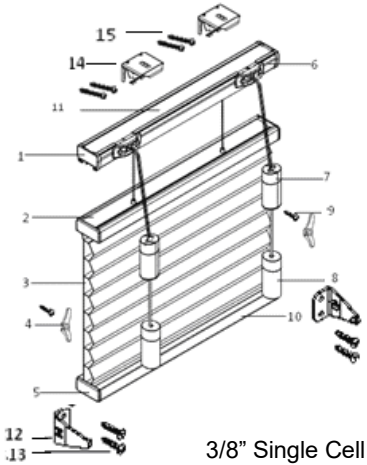
No	Description
1	Screws for Installation Bracket
2	Installation Bracket
3	Head Rail End Cap
4	Fabric
5	Bottom Rail End Cap
6	Hold Down Bracket
7	Screws for Hold Down Bracket
8	Head Rail
9	Insta-Lock
10	Cord
11	Ellipse Safety Cord Connector
12	Cord Cleat
13	Ellipse Tassel Assembly
14	Bottom Rail
15	Rail Cover

# Portrait™ Honeycomb Shades

## Lift Systems

### Corded Top Down/Bottom Up (TDBU)

- Adjust your privacy level by lowering shades from the top to let in natural light, or raising them from the bottom like a traditional shade.
- The left cord lock controls the bottom-up function, the right cord lock controls the top-down function.



No	Description	No	Description
1	Head Rail End Cap	9	Screws for Cord Cleat
2	Mid Rail	10	Bottom Rail
3	Fabric	11	Rail Cover
4	Cord Cleat	12	Hold Down Bracket
5	Bottom Rail End Cap	13	Screws for Hold Down Bracket
6	Headrail	14	Installation Bracket
7	Ellipse Safety Cord Connector	15	Screws for Installation Bracket
8	Ellipse Tassel Assembly		

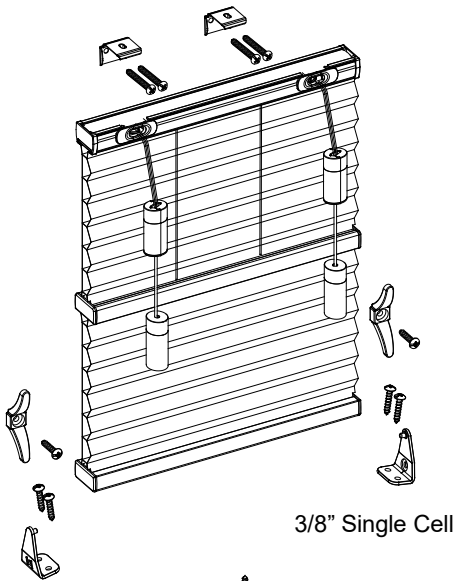
## Lift Systems

### Corded Day & Night

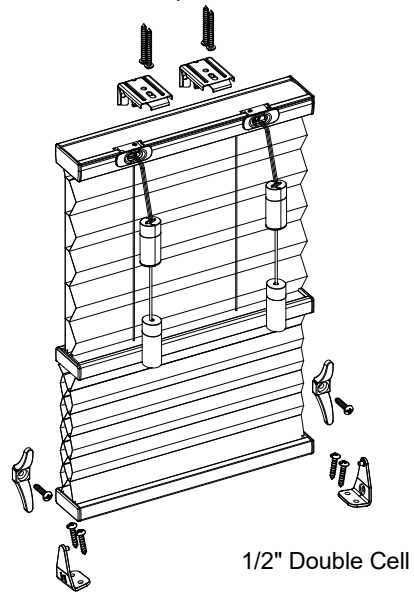
- Control the amount of light or privacy level by switching between two different fabrics.
- Sheer fabric can be on top (recommended), or bottom.

When sheer fabric ordered as the bottom, certain components in the mid rail and bottom rail may become visible through the sheer fabric when the shade is in a lowered position.

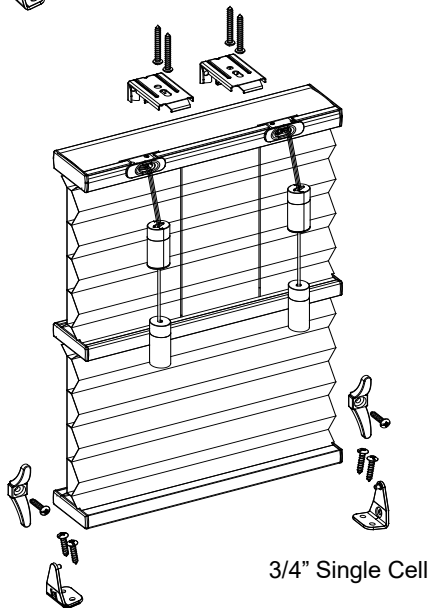
- The color of the cord coordinates with the sheer fabric.



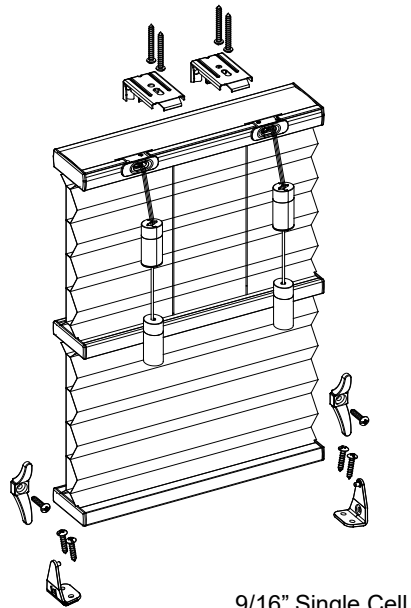
3/8" Single Cell



1/2" Double Cell



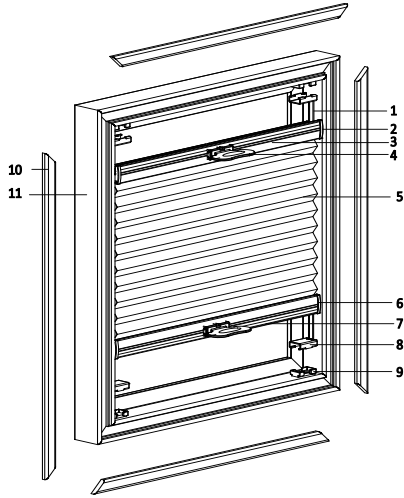
3/4" Single Cell



9/16" Single Cell

## Lift Systems

### Decoflex™

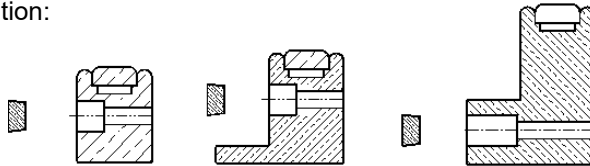


Decoflex™ with L frame

No	Description
1	Cord
2	End cap for Head rail
3	Head rail
4	Handle
5	Blanket
6	End cap for Bottom rail
7	Bottom rail
8	Cord Equalizer Housing Cover
9	Cord Equalizer Housing Base
10	Insert for L frame
11	L frame/Hang Strip

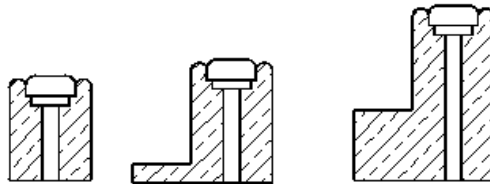
- Perfect solution for French doors or any windows
- Adjusts from the top or from the bottom securely with no dangling cords
- Featuring a 4-Hoffman Key solution for an easy installation
- Can be mounted as inside or outside mount; Available in 3/8" Single cell only
- First predrilled hole location is at 2 3/8" from the ends. The screw hole increases for every 24" distance.
- For inside mount, frames with pre-drilled holes are optional. Wood plugs and mounting screws will be supplied.

- IM Drill Location:



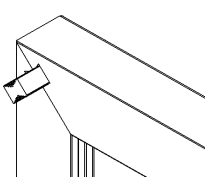
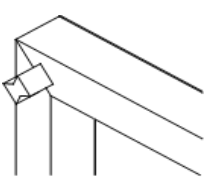
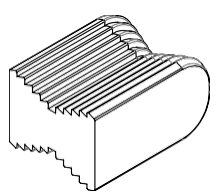
- For outside mount, frames are pre-drilled by default and include frame mounting screws.

- OM Drill location:



## Lift Systems

### Decoflex™

	Drawing	Remarks
Vintage L Frame with valance insert 3/4" light block		Standard 4-sided L Frame
Vintage L Frame with valance insert 1/4" light block		Standard 4-sided L Frame
Notch Out		Notch-out size limitation: $A \leq 1 \frac{1}{8}$ " $B \leq 1/2$ " Notch-out is allowed on the light block area.
Hang Strip		
Hoffmann key	 	 1pc for each corner of the L Frame / Hang Strip



## Lift Systems

### Decoflex™

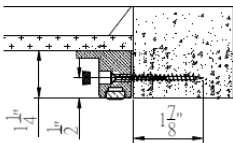
Size Considerations (max frame to frame)	Min	Max	Max. Area
Width	10 ½"	51 15/16"	31.7 SQFT
Height	8"	88"	

- Width: measure from the left edge of the left frame to the far right edge of the right frame
- Height: measure from the top edge of the frame to the bottom edge of the bottom frame
- Only max frame to frame measurements will be accepted

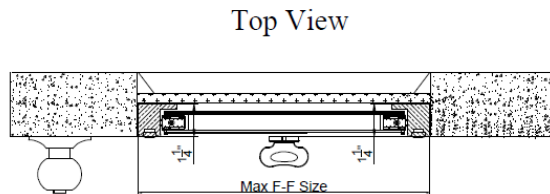
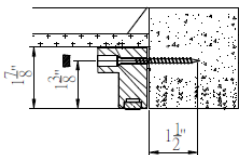
### Inside Mount

#### Measuring for door with or without trim around the glass

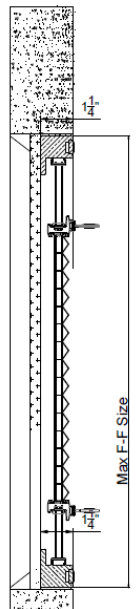
- **Our Recommendation:** take a 1/16" deduction on each side from the window area to get the max frame to frame size.
- Minimum distance of 3/4" is required for installing the L frame.
- L frame thickness:
  - 1 1/4" for 1/4" light block



- 1 7/8" for 3/4" light block



Side View

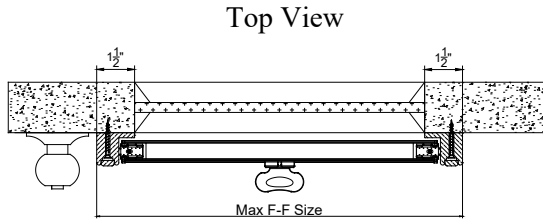
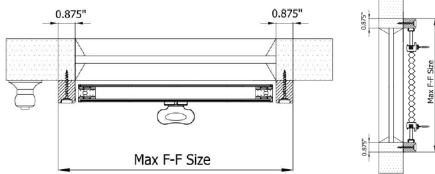


### Decoflex™

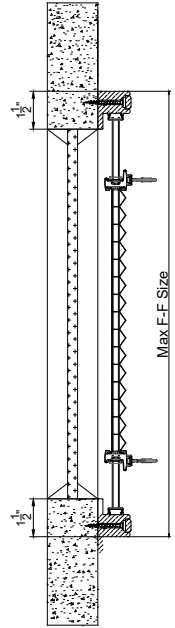
#### Outside Mount

##### Measuring for door with no trim around the glass

- **Our Recommendation:** add 1 1/2" on each side from the glass area to get the max frame to frame size. (With hang strip add 7/8")
- Minimum distance of 3/4" is required for installing the L frame.
- L frame thickness is 1 9/32"

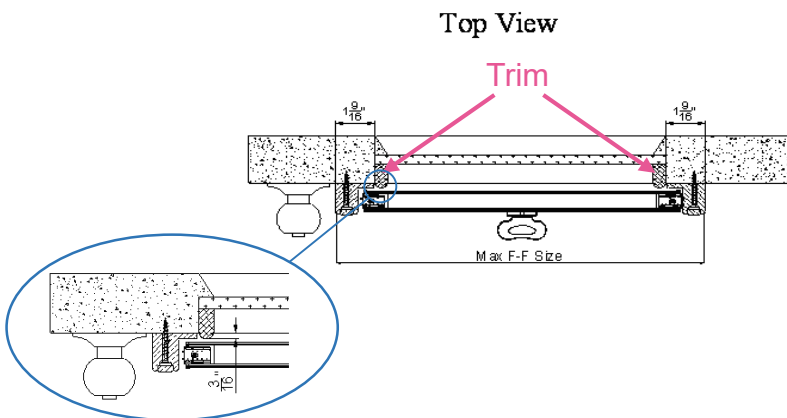


Side View

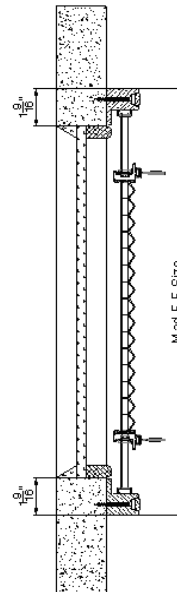


##### Measuring for door with trim around the glass

- **Our Recommendation:** add 1 9/16" on each side from the outside trim measurement to get the max frame to frame size.
- Projection of trim should be no more than 3/16"\*
  - Note: If the projection of the trim is more than 3/16", you can utilize the L frame with the 3/4" light block



Side View



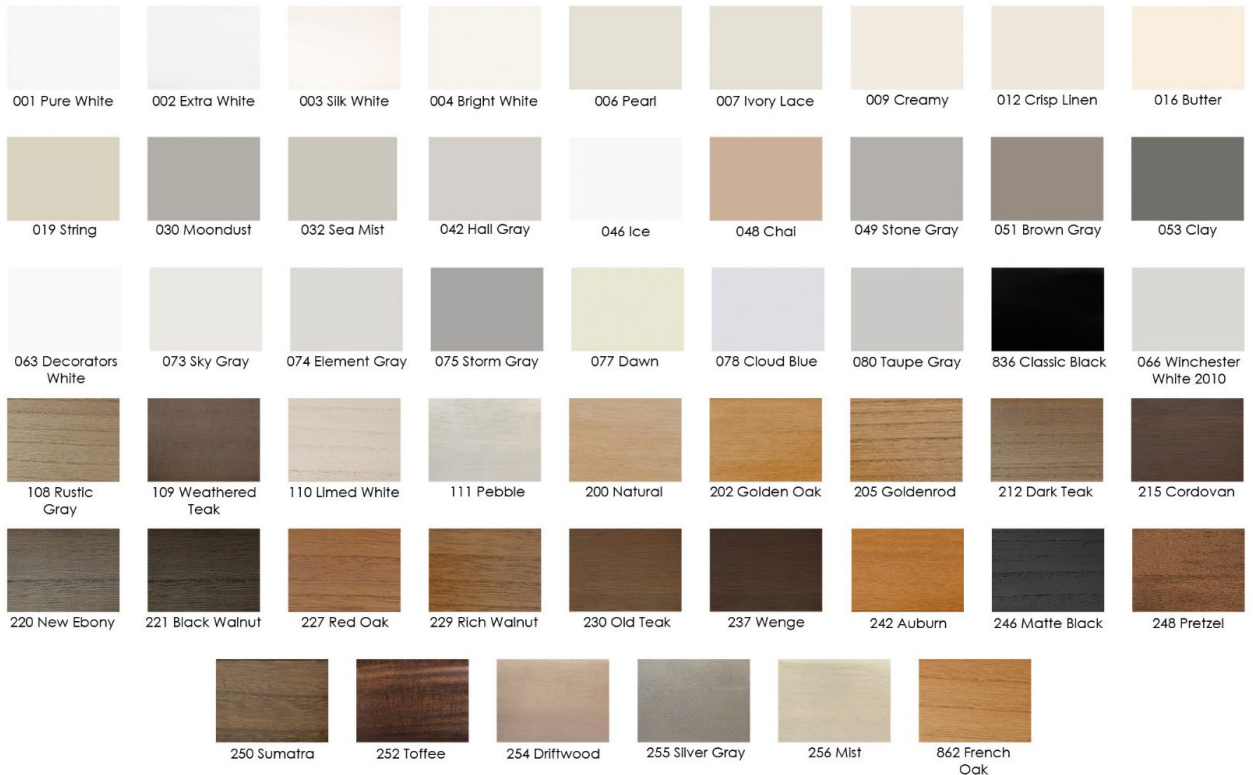
## Lift Systems

### Decoflex™

Frame: hard wood material

Color Availability: Normandy® Shutter collection – 51 colors

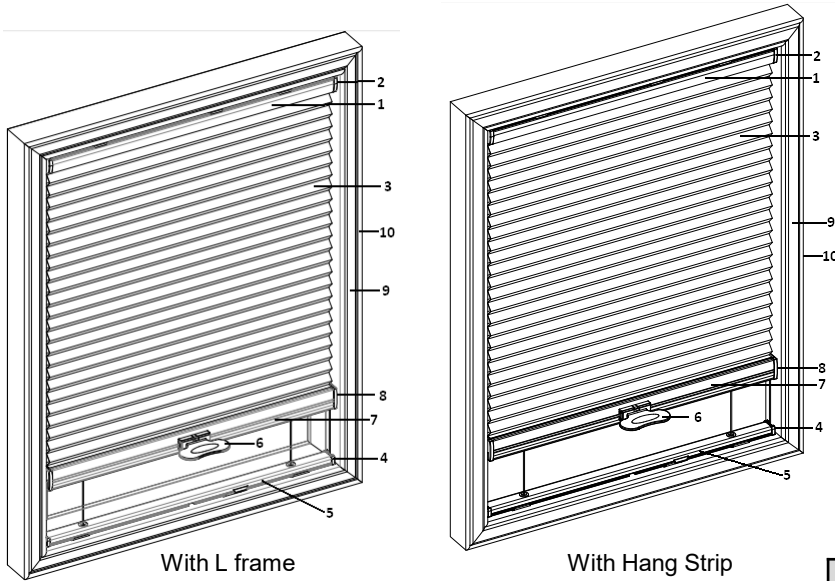
- **Painted colors:** Pure White, Extra White, Silk White, Bright White, Pearl, Ivory Lace, Creamy, Crisp Linen, Butter, String, Moon dust, Sea Mist, Hall Gray, Ice, Chai, Stone Gray, Brown Gray, Clay, Decorators White, Sky Gray, Element Gray, Storm Gray, Dawn, Cloud Blue, Taupe Gray, Classic Black, Winchester White.
- **Stained colors:** Rustic Gray, Weathered Teak, Limed White, Pebble, Natural, Golden Oak, Goldenrod, Cordovan, Mahogany, New Ebony, Black Walnut, Red Oak, Rich Walnut, Old Teak, Wenge, Auburn, Matte Black, Pretzel, Sumatra, Toffee, Driftwood, Silver Gray, Mist, French Oak.



## Lift Systems

### Decoflex™ for Skylights

- Perfect solution for skylight windows or sloped windows 15° to 90°
- With decorative frame and brackets pre-attached
- Operates as Bottom Up only
- Can be mounted as inside or outside mount; Available in all 3/8" Single cell only
- For inside mount, pre-drill frame for easy installation is optional. Wood plugs and mounting screws will be supplied when pre-drill option is selected
- For outside mount, frames are pre-drilled by default and includes frame mounting screws



No	Description
1	Head Rail
2	Head Rail End cap
3	Blanket
4	Bottom Rail End cap
5	Bottom Rail
6	Handle
7	Middle Rail
8	Middle Rail End cap
9	Insert for L frame
10	L frame/Hang Strip

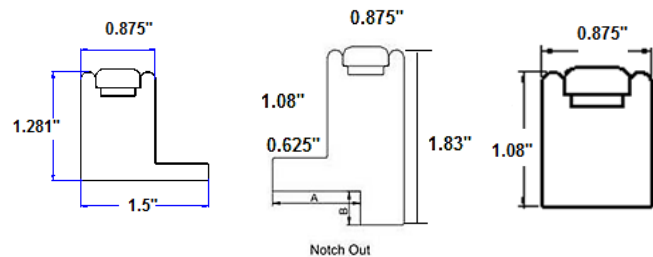
### Size Considerations

Max frame to frame	Min	Max	Max Area
Width	10 1/2"	60 7/8"	50.3 SQFT
Height	7 3/4"	121 3/4"	

- Only max frame to frame measurements will be accepted

### General Specifications

1. Frame: hard wood; available in 51 Normandy shutter colors.  
*See page 18 for full color list*
2. Frame: Vintage L frame (1/4" light block & standard with optional notch-out) & Vintage Hang Strip



A: no more than 1 1/8"  
B: no more than 1/2"

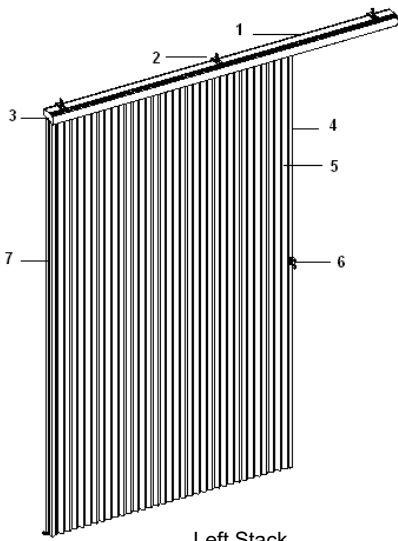


## Lift Systems

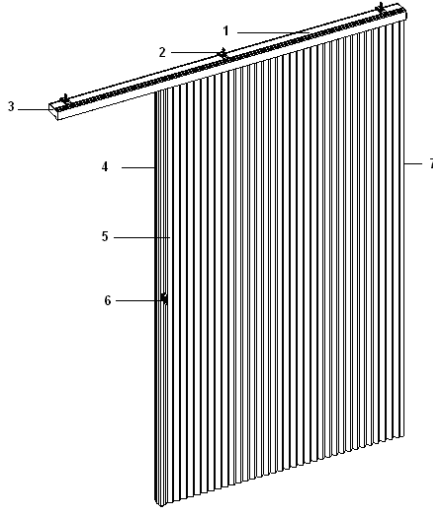
### Patio Door Vertical

- Perfect solution for sliding doors or large windows
- Available in 3/4" Single and 1 1/4" Single cell sizes

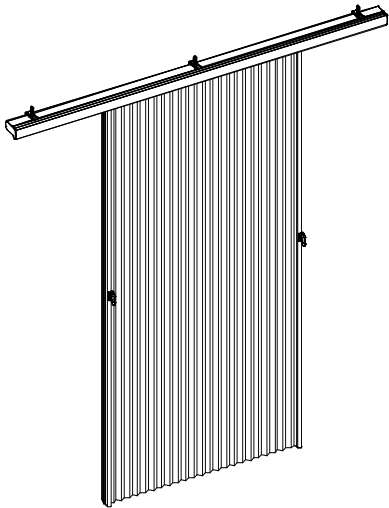
No	Description
1	Headrail
2	Installation bracket
3	Headrail End cap
4	Vertical Rail (Movable)
5	Blanket
6	Handle
7	Vertical Rail (Stationary)



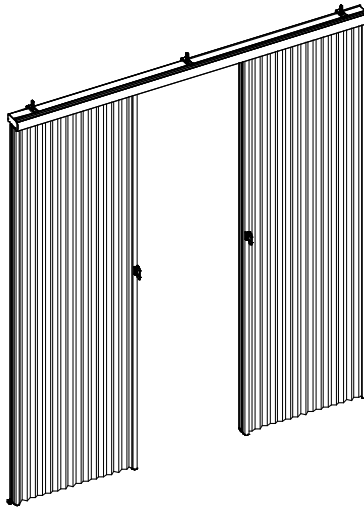
Left Stack



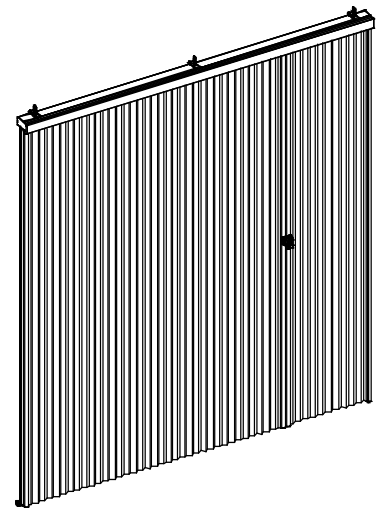
Right Stack



Traveling Center Stack



Split Stack  
(Center Opening)



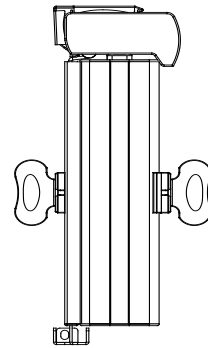
Custom Split  
(Uneven widths)



## Lift Systems

### Patio Door Vertical

- When putting 2 individual shades together (L stack, R stack, & traveling center stack), the optional magnetic strips can be specified to be added to the meeting rails.
- Stacking configuration:
  - Left Stack
  - Right Stack
  - Traveling Center Stack
    - Magnetic strips are optional
  - Center Opening
  - Custom Split
    - Left and right widths can be specified
- Magnetic strips:
  - Optional
- Handle options:
  - Default: Handle on the front side of shade only
  - Optional: Handles on both front and back sides



#### How to Measure for Vertical Honeycomb:

**IB:** Order width & height = window width & height.

**OB:** Add 4" to opening width and 2" to opening height.

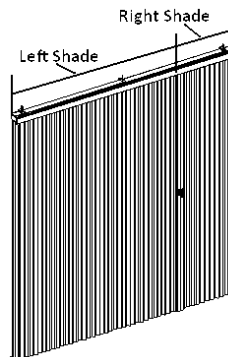
#### How to Measure for Custom Split:

**Shade Width:** measure from the left end cap to the right end cap along the head rail.

**Shade Height:** measure from the top of head rail to the bottom of vertical rail end cap.

**Left Shade width:** measure from the left head rail end cap to the middle vertical rails joint

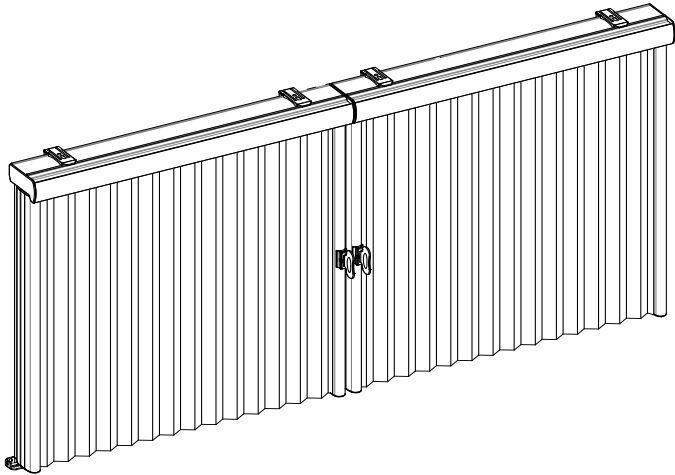
**Right Shade width:** measure from the middle vertical rails joint to the right head rail end cap



## Lift Systems

### Patio Door Vertical: Butt together

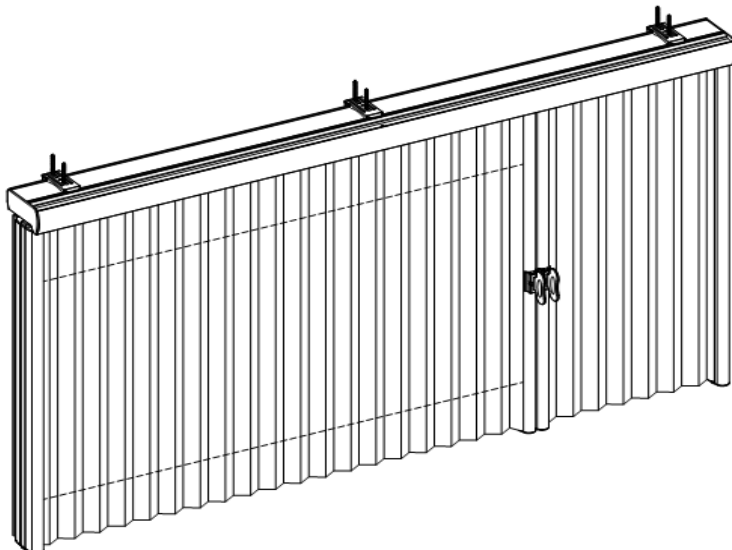
- Side by side butt option
- Stacking configuration: left shade must be Left Stack, and right shade must be Right Stack
- All cell sizes and fabric options must be compatible with each other
- Thicker magnet strips are included in the center of each side of the moving rails to avoid any light gaps



Thicker Magnet Strip  
(4mm)

### Patio Door Vertical Day & Night

- Select a Sheer fabric on one side, and a Light-Filtering or Room Darkening fabric on the other side
- Stacking Configuration: Center Opening only
  - Left shade and right shade stack side by side, butt together
- Available in 3/4" Single and 1 1/4" Single cell sizes
- Sheer fabric is the default on the left shade. Optional on the right shade

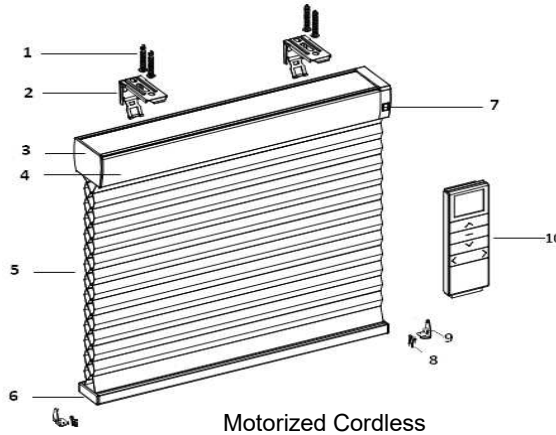


Magnet Strip  
(1.5mm)

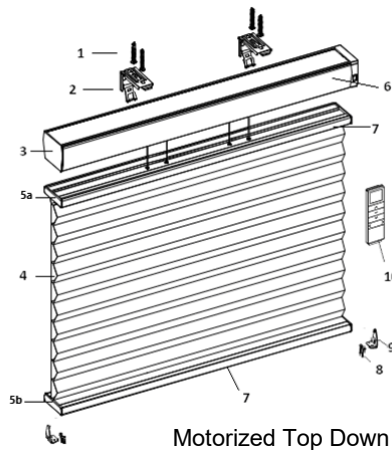
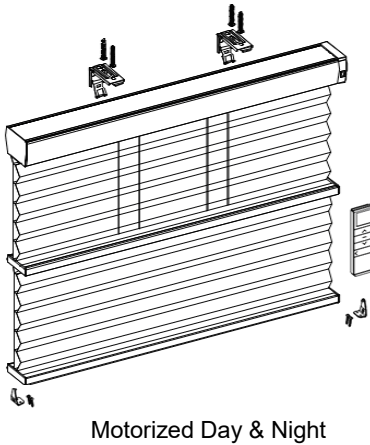
# Portrait™ Honeycomb Shades

## Motorization

- Radio frequency technology allows you to operate from virtually anywhere in the home
- Operate multiple shades simultaneously or individually
- Available in bottom-up, top down and day & night
- Easy to program and use 15-channel remote control
- Each shade is assigned to its own channel
- Convenient manual switch enables raising and lowering when the remote is not available
- Two power sources to choose from: battery wand, plug in adaptor



No	Description
1	Screws for Installation Bracket
2	Installation Bracket
3	Head Rail End Cap
4	Head Rail
5	Fabric
6	Bottom Rail End Cap
7	Manual Switch
8	Screws for Hold Down Bracket
9	Hold Down Bracket
10	Remote



No	Description
1	Screws for Installation Bracket
2	Installation Bracket
3	Head Rail End Cap
4	Fabric
5a	Middle Rail End Cap
5b	Bottom Rail End Cap
6	Head Rail
7	Middle Rail
8	Screws for Hold Down Bracket
9	Hold Down Bracket
10	Remote

\*The shade is operated by lowering the entire shade (Middle Rail/Fabric/Bottom Rail) down to the window sill. When the shade is lowered the bottom of the sill, the middle rail will continue to cycle and raise upward. You can raise/lower the middle rail to the desired position. Please note that the bottom rail is stationary on window sill when middle rail is raised in window. You cannot raise middle rail and bottom rail or shade in the window at the same time.

## Motorization

### How to Order your Motorized Shade:

Step 1: Specify fabric cell size & fabric type.

Step 2: Select “Motorization” and specify motor location. Default is right.





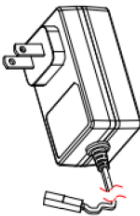
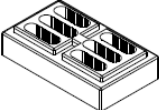
Step 3: Specify power source (battery wand\* or AC adaptor).

\*For battery wand, please specify whether to attach it to the headrail or not.

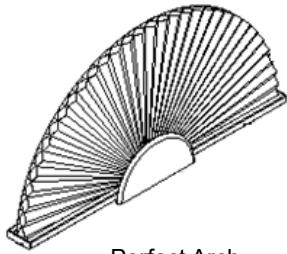
Step 4 : Specify the remote channel (1 to 15- one shade per channel) & the remote quantity.

### Motor location

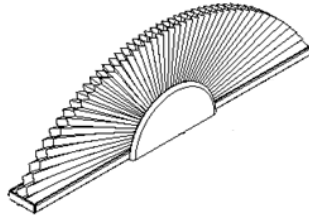
Shade Type	Default	Optional
Single shade	Right	Left
2 on 1	Left shade: Left Right shade: Right	

Remote/Motors		Additional Info		Parts/Options		Additional Info	
	Remote control	*Use 1x CR2450 (3V); battery not included			Manual Switch	When the remote is not accessible, the shade can also be operated by the manual control button.  Installed on the headrail end cap, by motor location.	
	Battery wand	*Length: 17” *Optional cable extension: 48”, 96”  *Diameter: 0.78” *Use 8 x AA batteries (not included) *Cable length: 8”			Battery wand clip	*2 pcs per wand	
	AC adaptor	*Cable length: 59”  *Input: 100-240V~ 50/60Hz 0.8A *Output: 12V---2.0A *Dimensions: 2” Wide x 1 3/8” Deep (not including the plug) x 3 1/8” Height *CE certified *RoHS Certified			Shim/Spacer Block	*Optional  *0.39” (10mm) thickness for one, 0.71” (18mm) thickness for two	

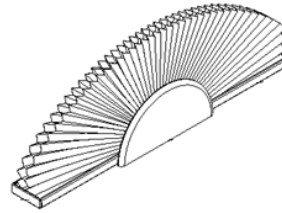
## Specialty Shapes



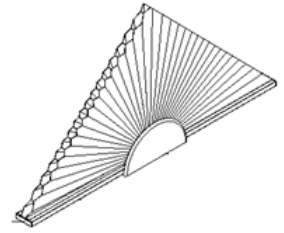
Perfect Arch



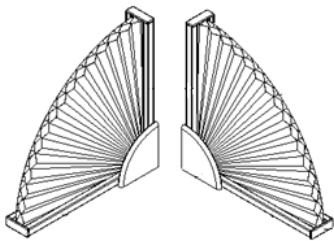
Eyebrow



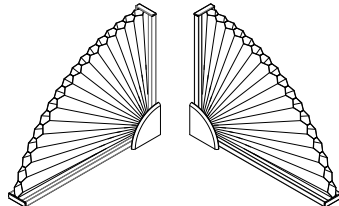
Elongated Eyebrow



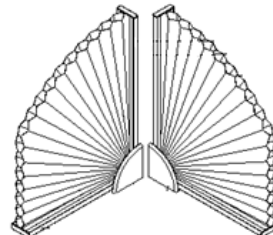
Triangle



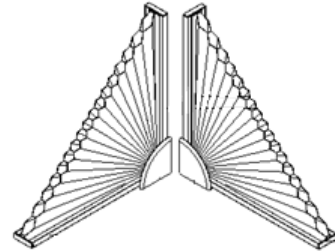
Quarter Round Left & Right



Half Eyebrow



Arch on Top Left & Right



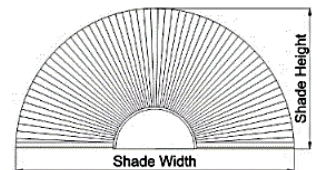
Angle Top Left & Angle Top Right

All specialty shapes are:

- IB only
- non-operable shades
- completely symmetrical - **We do not accept templates.**

### Size Limitations

1. Perfect Arches: height must be half of the width
2. Eyebrows:
  - Shade height must be less than half of the shade width
3. Elongated eyebrows:
  - Both leg heights must be equal
  - The difference between shade height and leg height must be 5" or more
  - Minimum leg height: 1"
4. Quarter Rounds: width and height must be equal.
5. Arch on Top:
  - The difference between the shade height and leg height must be 5" or more.
  - Shade height and leg height difference must be less than the shade width.
  - Minimum leg height: 1"
6. Angle Tops: Width and height do not need to meet a certain ratio; just needs to be within the size limitation.



Shade		Min Size	Max Size
Perfect Arch, Eyebrow, Elongated Eyebrow	Width	10"	96"
	Height	5"	48"
Quarter Round, Angle Top, Arch on Top, Half Eyebrow (L or R)	Width	5"	48"
	Height	5"	48"
Triangle	Width	10"	96"
	Height	5"	48"

\*The above are net sizes, not order sizes.



# Portrait™ Honeycomb Shades

## Option Reference Chart

Lift Systems	Cell Sizes					
	3/8" Single	9/16" Single	1/2" Double	3/4" Single	3/4" Double	1 1/4" Single
Corded	✓	✓	✓	✓	✗ n/a	✗ n/a
Corded TDBU	✓	✓	✓	✓	✗ n/a	✗ n/a
Corded Day & Night	✓	✓	✓	✓	✗ n/a	✗ n/a
Cordless	✓	✓	✓	✓	✓	✓
Cordless TDBU	✓	✓	✓	✓	✓	✓
Cordless Day & Night	✓	✓	✓	✓	✓	✓
Cord Loop	✓	✓	✓	✓	✓	✓
Cord Loop TD	✓	✓	✓	✓	✓	✓
Cord Loop Day & Night	✓	✓	✓	✓	✓	✓
SmartRelease™	✓	✓	✓	✓	✓	✓
Motorized	✓	✓	✓	✓	✓	✓
SmartFit™	✓	✓	✓	✓	✓	✓
SmartFit™ for Sloped Window	✓	✗ n/a	✗ n/a	✗ n/a	✗ n/a	✗ n/a
Patio Door: Vertical, Day & Night	✗ n/a	✗ n/a	✗ n/a	✓	✗ n/a	✓
Decoflex™	✓	✗ n/a	✗ n/a	✗ n/a	✗ n/a	✗ n/a
Decoflex™ for skylight	✓	✗ n/a	✗ n/a	✗ n/a	✗ n/a	✗ n/a
Specialty Shapes	✓	✓	✓	✓	✗ n/a	✗ n/a

Fabric Type	Cell Sizes					
	3/8" Single	9/16" Single	1/2" Double	3/4" Single	3/4" Double	1 1/4" Single
Sheer	✓	✓	✗ n/a	✓	✗ n/a	✓
Light Filtering	✓	✓	✓	✓	✓	✓
Room Darkening	✓	✓	✓	✓	✓	✓
Designer Fabric	✓	✗ n/a	✗ n/a	✓	✗ n/a	✓
Flame Resistant	✓	✗ n/a	✗ n/a	✓	✗ n/a	✗ n/a

# Portrait™ Honeycomb Shades

## Size Considerations

Lift System/Product	Width		Length		Max Area
	Min	Max	Min	Max	
<b>Cordless</b>	11 1/2"	120" <sup>6</sup>	10"	120" <sup>6</sup>	100 SQFT <sup>6</sup>
<b>Cordless TDBU</b>	15"	96"	10"	86"	60 SQFT
<b>Cordless Day &amp; Night</b>	15"	96"	10"	86"	60 SQFT
<b>SmartFit™</b>	8 1/2"	72" <sup>1</sup>	6"	86"	43 SQFT <sup>2</sup>
<b>SmartFit™ for sloped windows</b>	8 1/2"	59"	6"	120"	48 SQFT
<b>Decoflex™<sup>3</sup></b>	10 1/2"	51 15/16"	8"	88"	31.7 SQFT
<b>Decoflex™ for Skylights<sup>3</sup></b>	10 1/2"	60 7/8"	7 3/4"	121 3/4"	50.3 SQFT
<b>Cord Loop &amp; SmartRelease™</b>	15"	120"	10"	144"	80 SQFT
<b>Cord Loop TD</b>	24" <sup>4</sup>	120"	10"	144"	80 SQFT
<b>Cord Loop Day &amp; Night</b>	24" <sup>4</sup>	120"	10"	144"	80 SQFT
<b>Cordless</b>	8 1/2"	96"	25 1/2"	144"	60 SQFT
<b>Cordless TDBU</b>	8 1/2"	96"	25 1/2"	144"	60 SQFT
<b>Cordless Day &amp; Night</b>	8 1/2"	96"	25 1/2"	144"	60 SQFT
<b>Motorized Cordless</b>	22"	120"	10"	144"	80 SQFT
<b>Motorized Cordless TD</b>	31" <sup>5</sup>	120"	10"	144"	50 SQFT
<b>Motorized Day &amp; Night</b>	31" <sup>5</sup>	120"	10"	144"	50 SQFT
<b>Patio Door Vertical</b>	30"	146"	24"	120"	121 SQFT
<b>Patio Door Vertical Day &amp; Night</b>	30"	146"	24"	120"	121 SQFT

1. Maximum width for SmartFit 3/8" single cell is 50".
2. Maximum area for SmartFit 3/8" single cell is 30 SQFT.
3. IM & OM Decoflex measurements are maximum frame to frame.
4. Minimum width is 30" for lengths greater than 72".
5. Minimum width is 35" for lengths greater than 72".
6. In select sizes only. For 3/8" & 9/16" single cell sizes, max width: 96"; max length: 86"; max area 60 SQFT.

### Notes:

- For Patio Door Vertical & Patio Door Vertical Day & Night: widths over 120" must be shipped via Standard shipping
- Minimum length for corded systems:
  - 25 1/2" is the minimum STANDARD shade length
  - 10" is the minimum CUSTOM shade length when a custom cord length is selected.

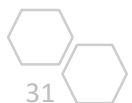
# Portrait™ Honeycomb Shades

## Standard Deductions

Product	Mounting	Shade Width(X)			Shade Height(Y)			PVC light guard length		
		Order Width	Measurement	Tolerance	Order Height	Measurement	Tolerance			
Cordless	OB	X=Order Width	Measure shade from left to right	±1/8"	Y=Order Height	Measure from the top of the headrail to the bottom of bottom rail  <i>(when the shade is at full extension)</i>	+1/2" ~ +3"	N/A		
Cordless TDBU Cordless Day & Night	IB	X=Order Width - 3/8"			Y=Order Height			Order Height - 1/8"		
Cord Loop SmartRelease™	OB	X=Order Width		±1/8"	Y=Order Height		+3/8" ~ +1 1/4"	N/A		
Cord Loop TD Cord Loop Day & Night Motorized Cordless Motorized Cordless TD Motorized Day & Night	IB	X=Order Width - 3/8"			Y=Order Height			Order Height - 1/8"		
Cordless	OB	X=Order Width		±1/8"	Y=Order Height		+1/4" ~ +3/4"	N/A		
Cordless TDBU Cordless Day & Night	IB	X=Order Width - 3/8"			Y=Order Height			Order Height - 1/8"		
SmartFit	IB	X=Order Width - 1/4" <i>(without PVC light guard)</i>		±1/8"	Y=Order Height		Cords can be adjusted a bit to better fit your window in height	Order Height		
SmartFit for Sloped Windows		X=Order Width - 3/8" <i>(with PVC light guard)</i>								
Vertical	OB	X= Order Width		Measure from the left end cap to the right end cap, along the headrail	± 1/8"		Y=Order Height - 1/2"	Measure from the top of headrail to the bottom of vertical rail end cap	± 1/8"	N/A
Vertical Day & Night	IB	X=Order Width -3/16"					Y=Order Height-5/8"			N/A

### Other Products:

- Decoflex & Decoflex for Skylights** (Max Frame to Frame Size):  
Width: measure from left L frame to right L frame.  
Height: measure from top L frame to bottom L frame.
- Vertical & Vertical Day & Night:**  
OB Recommendation: add 4" to opening width and 2" to opening height
- Specialty Shapes:**  
3/16" deduction on each side.  
Tolerance: Shade width and height may vary -1/8" ~1/8".



# Portrait™ Honeycomb Shades

## Estimated Fabric Stacking Heights

**Disclaimer: The below figures are estimated fabric stacking heights, for reference. These are not guaranteed, exact measurements. Actual stacking height may vary for each shade.**

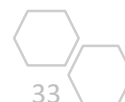
System	Fabric	3/8" Single (")				9/16" Single (")				3/4" Single (")			
Shade Drop		48"	72"	84"	144"	48"	72"	84"	144"	48"	72"	84"	144"
Corded	LF	2.74	3.58	4	6.1	2.05	2.43	2.62	3.58	2.02	2.5	2.74	3.94
	RD	2.65	3.44	3.83	5.81	1.96	2.29	2.46	3.31	1.97	2.43	2.66	3.8
	FR	2.79	3.65	4.09	6.25	NA				2.07	2.57	2.83	4.09
Corded TDBU	LF	3.33	4.17	4.59	6.69	2.64	3.02	3.21	4.17	2.61	3.09	3.33	4.53
	RD	3.24	4.03	4.43	6.41	2.55	2.88	3.06	3.91	2.57	3.02	3.25	4.39
	FR	3.38	4.25	4.68	6.84	NA				2.66	3.17	3.42	4.68
Corded Day & Night	Sheer & RD	4.55	6.04	6.78	10.5	3.29	3.95	4.30	6.00	3.25	4.09	4.51	6.61
	Sheer & LF	4.69	6.25	7.03	10.93	3.40	4.13	4.49	6.31	3.3	4.17	4.6	6.76
Cordless	LF	3.55	4.44	4.88	NA	2.68	3.06	3.25	4.21	2.73	3.21	3.45	NA
	RD	3.45	4.29	4.71		2.59	2.92	3.09	3.94	2.68	3.14	3.37	
	FR	3.55	4.44	4.88		NA				2.78	3.28	3.54	
Cordless TDBU	LF	4.37	5.26	5.71	NA	3.74	4.13	4.32	5.27	3.56	4.04	4.28	NA
	RD	4.28	5.12	5.54		3.65	3.98	4.16	5.01	3.51	3.97	4.19	
	FR	4.37	5.26	5.71		NA				3.61	4.11	4.36	
Cordless Day & Night	Sheer & RD	5.6	7.16	7.94	NA	4.39	5.06	5.40	7.10	4.16	5	5.42	NA
	Sheer & LF	5.7	7.3	8.11		4.50	5.23	5.59	7.41	4.21	5.07	5.5	
Cord Loop, Motorization, & SmartRelease™	LF	3.45	4.29	4.71	6.81	3.04	3.42	3.61	4.56	2.73	3.21	3.45	4.65
	RD	3.36	4.15	4.54	6.52	2.94	3.28	3.45	4.30	2.68	3.14	3.37	4.51
	FR	3.5	4.36	4.8	6.96	NA				2.78	3.28	3.54	4.8
Cordloop D&N & Motorized D&N	Sheer & RD	5.65	7.05	7.74	11.30	4.28	4.94	5.28	6.98	4.26	4.94	5.27	6.95
	Sheer & LF	5.74	7.18	7.88	11.44	4.38	5.11	5.47	7.29	4.33	5.04	5.39	7.15
Cord Loop TD, Cordless TD, & Motorization TD	LF	4.35	5.13	5.51	7.44	3.63	4.01	4.20	5.15	3.56	3.92	4.09	4.98
	RD	4.26	5.00	5.38	7.30	3.54	3.87	4.04	4.89	3.49	3.82	3.98	4.78
	FR	4.07	4.70	5.02	6.57	NA				3.46	3.76	3.91	4.67
SmartFit™	LF	3.25	4.09	4.51	NA	2.64	3.02	3.21	4.17	2.77	3.25	3.49	NA
	RD	3.16	3.95	4.35		2.55	2.88	3.06	3.91	2.72	3.18	3.41	
	FR	3.3	4.17	4.6		NA				2.82	3.32	3.58	

# Portrait™ Honeycomb Shades

## Estimated Fabric Stacking Heights

**Disclaimer: The below figures are estimated fabric stacking heights, for reference. These are not guaranteed, exact measurements. Actual stacking height may vary for each shade.**

System	Fabric	1/2" Single (")				3/4" Double (")					1 1/4" Single (")														
		48"	72"	84"	144"	48"	72"	84"	86"	120"	48"	72"	84"	86"	120"										
<b>Shade Drop</b>		48"	72"	84"	144"	48"	72"	84"	86"	120"	48"	72"	84"	86"	120"										
<b>Corded</b>	LF	2.26	2.76	3.00	4.23	N/A																			
	RD	2.17	2.62	2.84	3.96																				
	FR	NA																							
<b>Corded TDBU</b>	LF	2.85	3.35	3.60	4.83																				
	RD	2.76	3.21	3.43	4.55																				
	FR	NA																							
<b>Corded Day &amp; Night</b>	Sheer & RD	3.70	4.61	5.06	7.29																				
	Sheer & LF	3.80	4.75	5.22	7.57																				
<b>Cordless</b>	LF	2.89	3.39	3.63	4.86											N/A									
	RD	2.8	3.25	3.47	4.59											2.54	2.83	2.98	3.01	N/A	2.35	2.55	2.65	2.66	N/A
	FR	NA				N/A																			
<b>Cordless TDBU</b>	LF	3.83	4.34	4.58	5.81	N/A																			
	RD	3.74	4.2	4.42	5.54	3.13	3.43	3.57	3.60	N/A	2.94	3.14	3.24	3.25	N/A										
	FR	NA				N/A																			
<b>Cordless Day &amp; Night</b>	Sheer & RD	4.69	5.60	6.04	8.28	3.77	4.37	4.65	4.72	N/A	3.39	3.80	3.99	4.02	N/A										
	Sheer & LF	4.78	5.74	6.20	8.55	N/A																			
<b>Cord Loop &amp; SmartRelease™</b>	LF	3.24	3.75	3.99	5.22	N/A																			
	FR	NA				N/A																			
	RD	3.15	3.61	3.83	4.94	2.85	3.15	3.29	3.32	3.75	2.66	2.87	2.96	2.98	3.28										
<b>Cord Loop D&amp;N &amp; Motorized D&amp;N</b>	Sheer & RD	4.69	5.60	6.04	8.28	4.09	4.69	4.97	5.03	5.88	3.71	4.12	4.31	4.34	4.94										
	Sheer & LF	4.78	5.74	6.20	8.55	N/A																			
<b>Cord Loop TD &amp; Motorized TD</b>	LF	3.83	4.34	4.58	5.81	N/A																			
	RD	3.74	4.20	4.42	5.54	3.44	3.74	3.88	3.91	4.34	3.25	3.46	3.55	3.57	3.87										
	FR	NA				N/A																			
<b>SmartFit™</b>	LF	2.85	3.35	3.6	4.83	NA					NA														
	RD	2.76	3.21	3.43	4.55	NA					NA														
	FR	NA				NA					NA														



# Portrait™ Honeycomb Shades

## Estimated Fabric Stacking Heights

**Disclaimer: The below figures are estimated fabric stacking heights/widths, for reference. These are not guaranteed, exact measurements. Actual stacking height may vary for each shade.**

System	Fabric	3/8" Single (")				9/16" Single	1/2" Double	3/4" Single	3/4" Double	1 1/4" Single
Shade Drop		48"	72"	84"	144"					
SmartFit™ for Sloped Window	LF	3.29	4.07	4.45	NA	NA	NA	NA	NA	NA
	FR	3.01	3.64	3.95						
	RD	3.20	3.94	4.31						
Decoflex™ for Skylights	LF	3.06	3.9	4.32	NA	NA	NA	NA	NA	NA
	FR	3.11	3.97	4.4						
	RD	2.96	3.75	4.15						

## Patio Door Vertical Stacking Width (Stackback)

Cell Size	Left Stack/Right Stack/ Day & Night/Split Stack (Center Opening)		Traveling Center Stack			
	Shade Width (X1")	Stacking Width (")	Shade Width (X1")	Stacking Width (")		
3/4" Single	X1 ≤ 92	6 3/4	X1 ≤ 146	10 5/8		
	92 < X1 ≤ 102	7 3/8				
	102 < X1 ≤ 111	7 7/8				
	111 < X1 ≤ 121	8 1/2				
	121 < X1 ≤ 130	9				
	130 < X1 ≤ 140	9 1/2				
	140 < X1 ≤ 146	10				
1 1/4" Single	X1 ≤ 71	6 3/4	X1 ≤ 130	10 5/8		
	71 < X1 ≤ 78	7 3/8				
	78 < X1 ≤ 86	7 7/8				
	86 < X1 ≤ 93	8 1/2				
	93 < X1 ≤ 100	9				
	100 < X1 ≤ 108	9 1/2				
	108 < X1 ≤ 115	10				
	115 < X1 ≤ 123	10 5/8				
	123 < X1 ≤ 130	11 1/4				
	130 < X1 ≤ 138	11 3/4			130 < X1 ≤ 138	11 1/4
	138 < X1 ≤ 146	12 3/8			138 < X1 ≤ 146	11 3/4

\* for D&N & Split Stack, the above stacking height is for one side only.

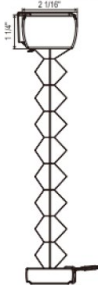


# Portrait™ Honeycomb Shades

## Minimum Mounting Depth

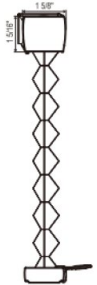
### CORDLESS

3/8" Single, 3/4" Single & 1/2" Double



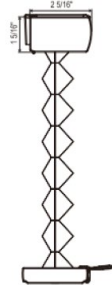
Fully Inside Mount Depth: 2 1/4"  
Semi-Inside Mount Depth: 1 1/2"

9/16" Single



Fully Inside Mount Depth: 1 13/16"  
Semi-Inside Mount Depth: 1"

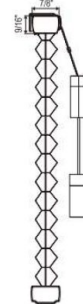
1 1/4" Single & 3/4" Double



Fully Inside Mount Depth: 2 11/16"  
Semi-Inside Mount Depth: 1 7/16"

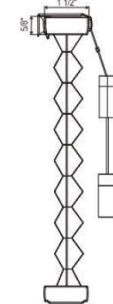
### CORDED

3/8" Single



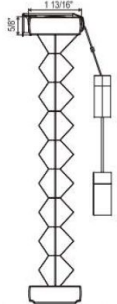
Fully Inside Mount Depth: 1 1/16"  
Semi-Inside Mount Depth: 1 1/16"

9/16" Single



Fully Inside Mount Depth: 1 3/4"  
Semi-Inside Mount Depth: 1 5/16"

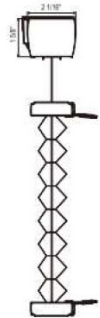
3/4" Single & 1/2" Double



Fully Inside Mount Depth: 2"  
Semi-Inside Mount Depth: 1 5/16"

### TDBU AND DAY & NIGHT

3/8" Single, 3/4" Single, 9/16" Single & 1/2" Double



Fully Inside Mount Depth: 2 1/4"  
Semi-Inside Mount Depth: 1 5/16"

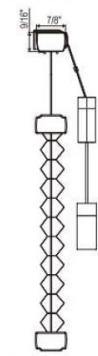
1 1/4" Single & 3/4" Double



Fully Inside Mount Depth: 2 11/16"  
Semi-Inside Mount Depth: 1 7/16"

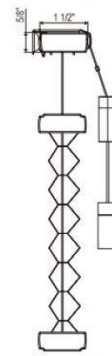
### TDBU AND DAY & NIGHT

3/8" Single



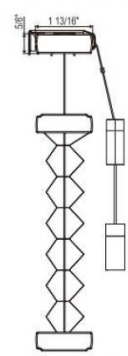
Fully Inside Mount Depth: 1 1/16"  
Semi-Inside Mount Depth: 1 1/16"

9/16" Single



Fully Inside Mount Depth: 1 3/4"  
Semi-Inside Mount Depth: 1 5/16"

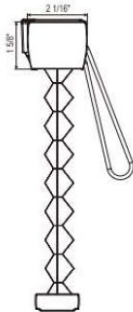
3/4" Single & 1/2" Double



Fully Inside Mount Depth: 2"  
Semi-Inside Mount Depth: 1 5/16"

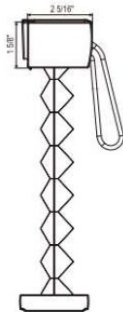
### CORD LOOP

3/8" Single, 3/4" Single, 9/16" Single & 1/2" Double



Fully Inside Mount Depth: 2 1/4"  
Semi-Inside Mount Depth: 1 5/16"

1 1/4" Single & 3/4" Double



Fully Inside Mount Depth: 2 11/16"  
Semi-Inside Mount Depth: 1 7/16"

### TD AND DAY & NIGHT

3/8" Single, 3/4" Single, 9/16" Single & 1/2" Double



Fully Inside Mount Depth: 2 1/4"  
Semi-Inside Mount Depth: 1 5/16"

1 1/4" Single & 3/4" Double

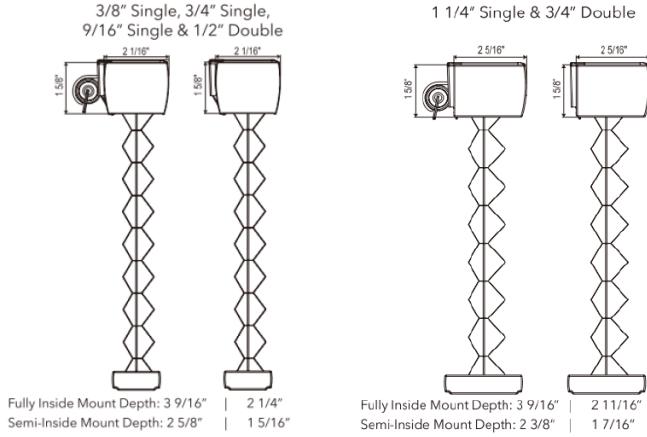


Fully Inside Mount Depth: 2 11/16"  
Semi-Inside Mount Depth: 1 7/16"

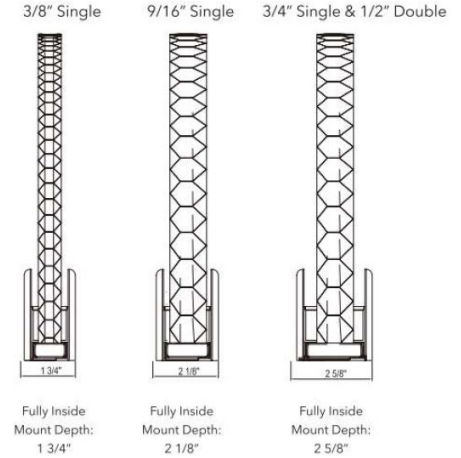
# Portrait™ Honeycomb Shades

## Minimum Mounting Depth

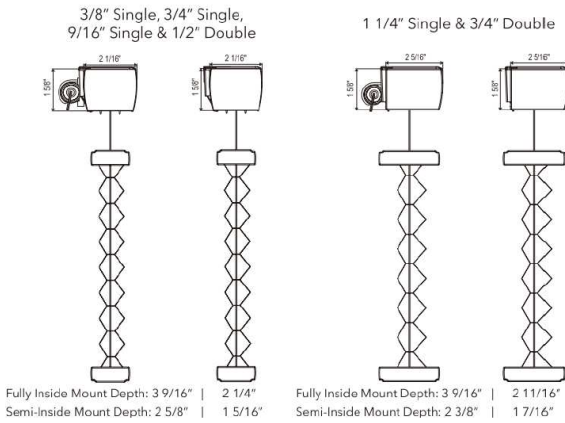
### MOTORIZATION



### SPECIALTY SHAPES

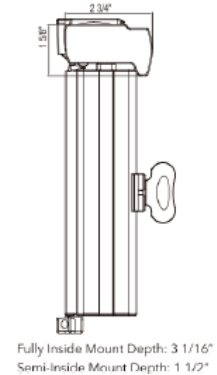


### TD AND DAY & NIGHT

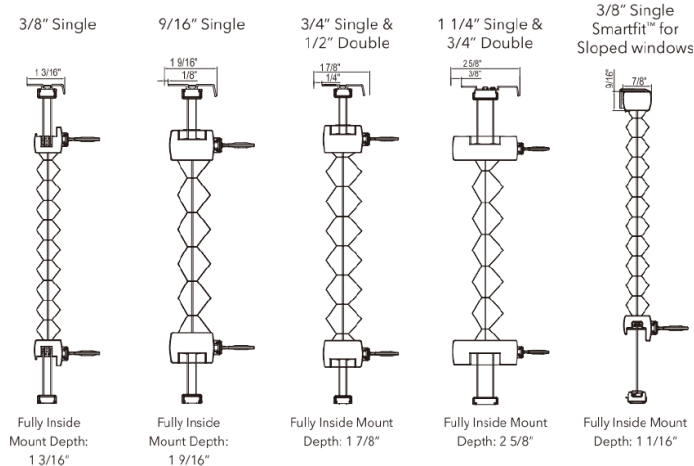


### VERTICAL

3/4" Single & 1 1/4" Single



### SMARTFIT™ for Regular and Sloped Windows



# Portrait™ Honeycomb Shades

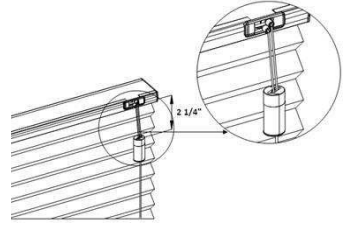
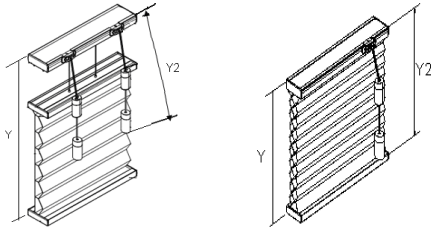
## Control Position

### Corded

	Default	Optional
<b>Single shade</b>	Right	Left
<b>2-on-1</b>	Left shade: left Right shade: Right	N/A

### Corded TDBU, Corded Day & Night:

The **left cord** operating the **bottom rail** (Bottom Up) and the **right cord** operating the **middle rail** (Top Down) **IMPORTANT:** You must first lower the bottom rail before lowering the center rail. Likewise, you must first raise the center rail before raising the bottom rail.

<b>Ellipse Safety Cord Connector Location</b>	The bead is added above the Ellipse Safety Cord Connector. The distance from cord lock under head rail to top of the Ellipse Safety Cord Connector is 2 1/4"	
<b>Ellipse Tassel Assembly Location</b>	$Y2 = Y \times 0.4 - 1$ (tolerance: $- 9/16'' \sim 0''$ )  Y2 means the distance from top of headrail to bottom of Ellipse Tassel Assembly.  *The min. custom drop of Y2 is 7 7/8".	

### Cordloop, Cordloop TD, Cordloop Day & Night, SmartRelease Cordloop

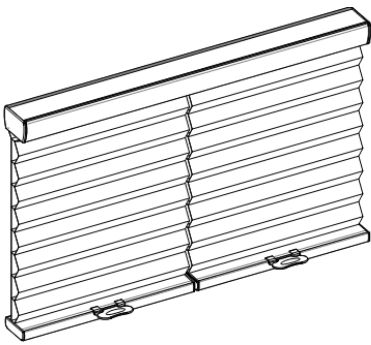
		Default	Optional
<b>Cord Loop</b>	single shade	Right	Left
	2-on-1	Left shade: left Right shade: Right	N/A
<b>Cordloop TD, Cordloop Day &amp; Night</b>	top shade & bottom shade	Right	Left
<b>SmartRelease™ Cord Loop</b>	single shade	Right	Left

Pull cord drop (Y2)	
Shade Drop (Y)	Default Pull Cord Drop
$Y < 24''$	16"
$24'' \leq Y < 36''$	24"
$36'' \leq Y < 48''$	36"
$48'' \leq Y < 60''$	48"
$60'' \leq Y < 84''$	60"
$84'' \leq Y < 144''$	84"
Shade Drop (Y)	Custom Pull Cord Drop
$Y2 = Y \times 0.4 - 1$	$Y2 \geq 6''$

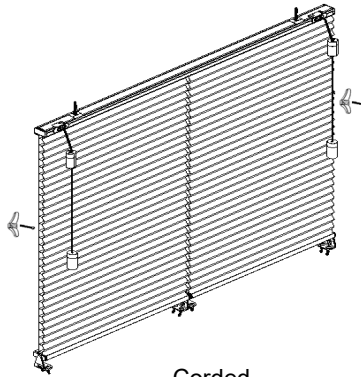
## 2 on 1 Shades

### 2 on 1 Shades

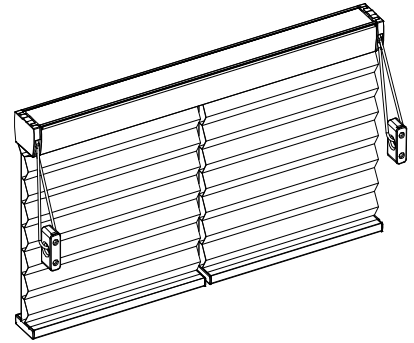
- Two independent working shades, on one headrail for a more uniform and consistent look.
- Available in Cordless, Corded, Cord Loop and Motorized only.
- Priced as two individual shades
- The control locations will be on the left of the left shade, and right of the right shade- as depicted below. To ensure the long term performance of the shade, the control location cannot be changed for 2-on-1 shades.



Cordless



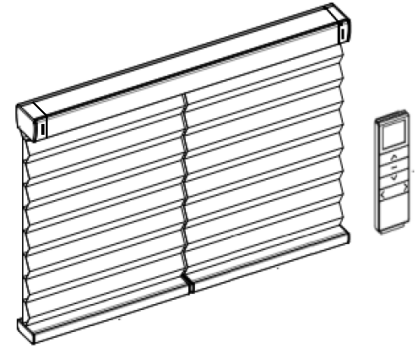
Corded



Cord Loop

### Size Limitation

Lift Systems		Min Size	Max Size	Max Area
Cordless	Shade Width	23 ¼"	120"	100 SQFT per shade
	Shade Height	10"	120"	
Cord Loop	Shade Width	30 ¼"	120"	60 SQFT per shade
	Shade Height	10"	144"	
Corded	Shade Width	17 ¼"	120"	60 SQFT per shade
	Shade Height	25 ½" *	144"	
Motorized	Shade Width	44"	120"	60 SQFT per shade
	Shade Height	10"	144"	



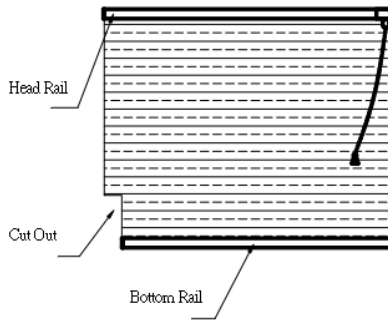
Motorized

- Standard ¼" gap spacing between each shade
- The size limitations listed above are for the entire 2 on 1 Shade size, but each shade must also follow the size limitations for a single shade.
- Cordless max size for select cell sizes only. For 3/8" & 9/16" Single cell sizes, max width: 96"; max length: 86"; max area 60 SQFT.
- Custom minimum blind drop of 10" is available when a custom cord drop is selected.  $10" \leq Y < 25 \frac{1}{2}"$

## Cut-outs

### Cut-outs for Horizontal Shades

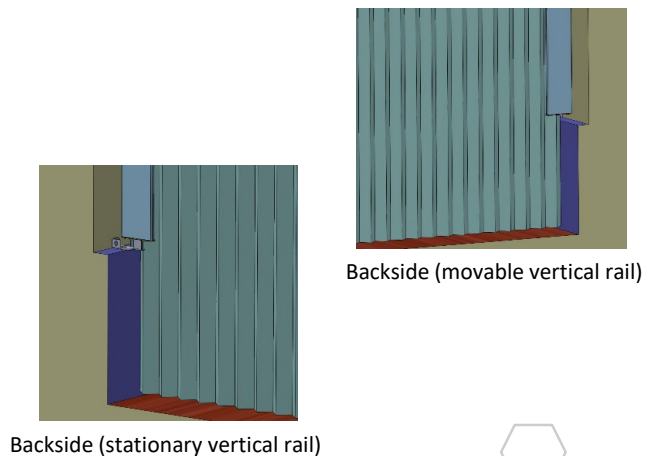
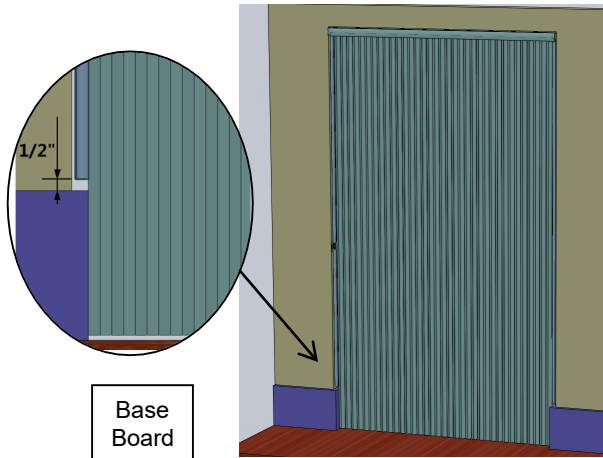
- Lengths are measured up from the bottom of bottom rail
- Cut-outs are made when the shade is fully extended.
- Provide detailed information under “Special Instructions” when ordering.
- Cut-outs are not available for SmartFit™, Corded TDBU, Cordless TDBU, Corded Day & Night, and Cordless Day & Night
  - This is due to the fact that the middle rail cannot be completely lowered over the cut-out
- Cut-outs will be made on the bottom rail and the bottom section of the fabric
- Cut-out location options
  - Bottom Corner (Left)
  - Bottom Corner (Right)
  - Bottom Corners (Both)



### Cut-outs for Vertical Shades

- For patio door honeycomb shades, the cut-out is only on the rails and not the fabric. See chart →
- When specifying cut-outs, please provide the height of the baseboard.
- Max cut out height: 6"

Stacking Configuration	Stationary vertical rail	Moveable vertical rail
Right Stack	✓	✓
Left Stack	✓	✓
Travelling Center Stack	✓	✓
Split Stack (Center Opening)	✓	✗
Vertical Day & Night	✓	✗



# Portrait™ Honeycomb Shades

## Cut-outs

Cut-out Reference chart

System	Shade Width (")	Min cut out size	Max. cut out size	Min cut out size	Max. cut out size
		Width		Height	
Corded	$X \leq 18.5$	N/A			
	$X > 18.5$	1/8"	1"	7/8" (bottom rail thickness)	Y = order height  Y - 2"
Cordless (SmartRise)	$X \leq 16$	N/A			
	$16 < X \leq 23.5$	1/8"	0.75"	7/8" (bottom rail thickness)	Y - 2"
	$X > 23.5$	1/8"	1"	7/8" (bottom rail thickness)	Y - 2"
Cordloop / Motorized / SmartRelease cordloop	All sizes	1/8"	1"	7/8" (bottom rail thickness)	Y - 2"
SmartFit	N/A				
Vertical, Vertical Day & Night	All sizes	For baseboards only- cut-outs are made on the rails, not the fabric.  The max. cut out on height is 6".			



# Portrait™ Honeycomb Shades

## Rail Colors

<u>Color Name</u>	<u>Color Code</u>	<u>Color Name</u>	<u>Color Code</u>
	Agave 3715		Indigo 3716
	Black Ink 3212		Nature 3579
	Celery 3613		Plum Purple 3475
	Chocolate 3463		Sahara 3578
	Cinnamon 3476		Sand 3582
	Cottage White 3094		Silver 3129
	Cream 3577		Sky 3722
	Fern 3616		Terra 3334
	Ginger Spice 3335		White 3058

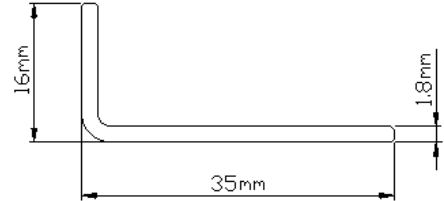
## Additional Options

### Light Guard

Available Colors:



2052 Day Light, 2021 Cloud Cream, 2583 Warm Sand,  
2480 Chocolate, 2129 Silver, 2208 Black



- PVC
- Inside mount only
- Light guard is not available in Decoflex, Decoflex for Skylights, Patio Door Vertical, Vertical Day & Night, or Specialty Shapes

Lift Systems	Light Guard Length
Corded, Cord Loop, Cordless, & Motorized	Ordered Height - 1/8"
SmartFit™ & SmartFit™ for Sloped Window	Ordered Height

### Hold Down

#### Magnetic Hold-Down

- Available for OM only
- Not recommended for metal door applications
- The magnet will be attached at the factory before shipping.
- The magnet catch will need to be installed at the job site.

#### Available colors for Magnet Catch

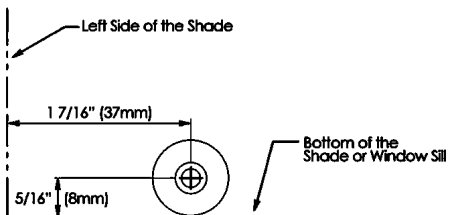
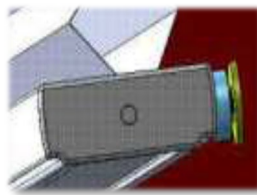
- Nickel-Plated (Default)
- (Optional) Pure White, Silk White, Bisque, Pearl, Bright Brass, Antique Brass, Black, Crisp Linen, String, Sea Mist, Stone Gray, Brown Gray, Taupe Gray



Magnet



Magnet Catch



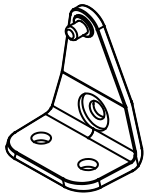
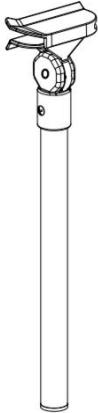
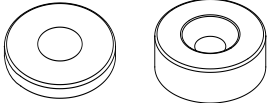
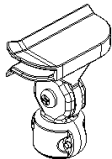


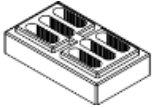
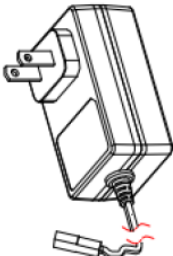
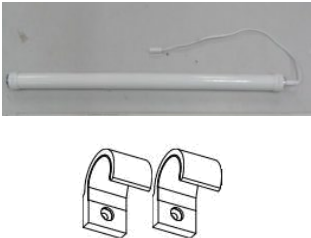
Allow for extra wall space:

- 1 7/16" from the side edge of the shade
- 5/16" from the bottom edge of the shade or window sill

Lift Systems	Magnetic Hold Down Availability
Corded	✓
Corded TDBU	✓
Corded Day & Night	✓
Cordless	✓
Cordless TDBU	✓
Cordless Day & Night	✓
Cord Loop	✓
Cord Loop TD	✓
Cord Loop Day & Night	✓
SmartRelease™	✓
Motorized: Cordless, TD, & Day & Night	✓
SmartFit™	x--N/A
SmartFit™ for Sloped Window	x--N/A
Patio Door Vertical, Day & Night	x--N/A
Decoflex™	x--N/A
Decoflex™ for skylight	x--N/A
Specialty Shapes	x--N/A

# Portrait™ Honeycomb Shades

## Parts & Accessories

Description	Drawing	Description	Drawing
Hold-Down Bracket (optional)		Pole for Cordless, SmartFit™, Decoflex™:  Size: 32", 53"	
Magnetic Hold-Down (optional)		Pole Attachment  (pole not included; compatible with telescopic poles sold at hardware stores)	
Cord Loop/ SmartRelease™ tensioner		Remote control	
Shim/Spacer Block (optional & stackable)		AC adaptor	
Battery wand (one battery wand is included in the price of the motorized option; one extra battery wand can be ordered per shade with the surcharge)  Battery wand clips (2 pcs)			

# Portrait™ Honeycomb Shades

## Mounting Hardware

Lift System	Rail Drawing	Cell Sizes	Lift System	Rail Drawing	Cell Sizes
Corded, Corded TDBU, Corded Day & Night	 Dimensions: 7/8" (width), 1" (depth), 9/16" (height), 11/16" (height)	3/8" S	SmartFit (OB & IB with marble sill)  SmartFit for Sloped Windows	 Dimensions: 1" (height), 1 1/8" (width), 9/16" (height), 11/16" (height)	3/8" S
	 Dimensions: 1 1/8" (width), 1 3/4" (depth), 13/16" (height), 7/8" (height)	9/16" S		 Dimensions: 7/8" (width), 1" (depth), 9/16" (height), 11/16" (height) For headrail	3/8" S
	 Dimensions: 1 1/8" (width), 2" (depth), 13/16" (height), 3/4" (height)	1/2" D 3/4" S		 Dimensions: 11/16" (width), 11/16" (depth), 3/16" (height) For bottom rail	3/8" S
Cordless	 Dimensions: 7/8" (width), 2 3/16" (depth), 1 1/8" (height), 1 1/2" (height)	3/8" S 9/16" S 3/4" S 1/2" D	Vertical Patio Door	 Dimensions: 7/8" (width), 2 3/16" (depth), 1 1/8" (height), 1 1/2" (height)	3/4" S 1 1/4" S
	 Dimensions: 7/8" (width), 2 7/16" (depth), 1 1/8" (height), 1 1/2" (height)	1 1/4" S 3/4" D		 Dimensions: 1 5/8" (width), 3/4" (depth), 3/16" (height)	3/8" S
Cordless TDBU, Cordless Day & Night	 Dimensions: 7/8" (width), 2 3/16" (depth), 1 1/8" (height), 1 5/8" (height)	3/8" S 9/16" S 3/4" S 1/2" D	Specialty Shapes	 Dimensions: 1 5/8" (width), 1 1/16" (depth), 3/16" (height)	9/16" S
	 Dimensions: 7/8" (width), 2 7/16" (depth), 1 1/8" (height), 1 1/2" (height)	1 1/4" S 3/4" D		 Dimensions: 1 5/8" (width), 1 11/16" (depth), 3/16" (height)	3/4" S
Cordloop/ SmartRelease, Cordloop TD, Cordloop Day & Night, Motorized, Motorized TD, Motorized Day & Night	 Dimensions: 7/8" (width), 2 3/16" (depth), 1 1/8" (height), 1 5/8" (height)	3/8" S 9/16" S 3/4" S 1/2" D			
	 Dimensions: 7/8" (width), 2 1/2" (depth), 1 7/16" (height), 1 3/4" (height)	1 1/4" S 3/4" D			



### Cleaning Honeycomb Shades

Routine cleaning will help maintain the beauty of your shade. Here are proper ways to clean Honeycomb shades:

- For light dusting: use a soft brush, feather duster, or a compressed air/hair dryer at a cool setting
- Vacuum with a low suction using a hand-held vacuum or a brush attachment
- Clean ultrasonically
  - Use a mild cleaning solution
  - Headrail should never be immersed in liquid
- For spot cleaning: dampen a clean cloth or sponge with warm water to dab the spot until it's gone. Add a mild detergent solution, if needed. Blot gently to avoid creasing the shade (do not rub!)
- Dry shade in a lowered position

