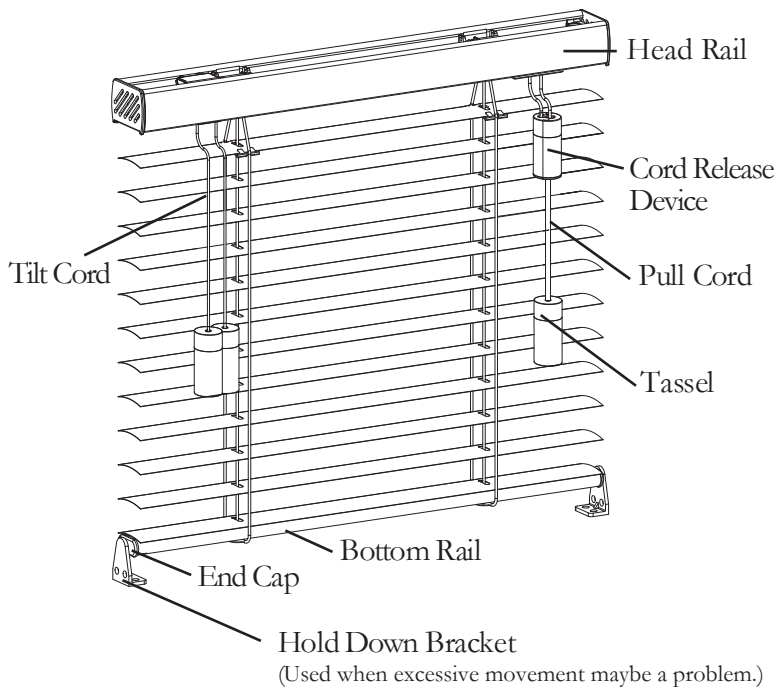


# 1/2" (Micro) & 1" Aluminum Blinds

## Installation & Cleaning Instructions

Please take a moment to review the following installation guide. Properly installed, your new blind will provide you with years of beauty for your home.

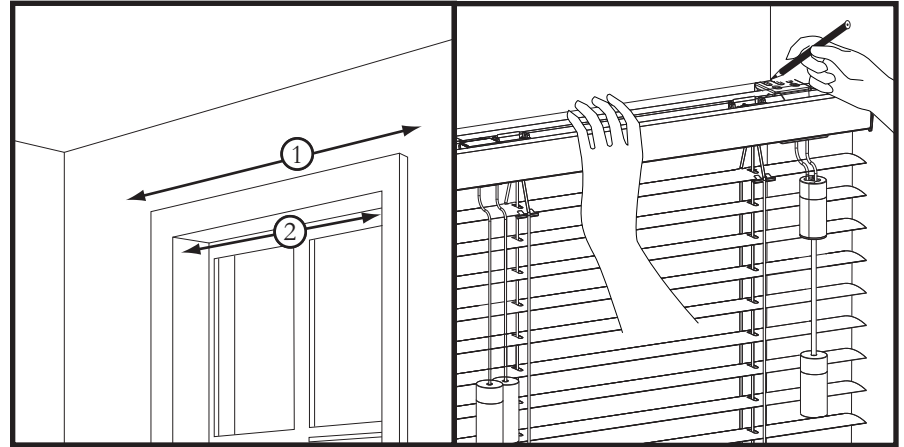


## Hardware Quantity Standard :

Blind Width (X)	X ≤ 47"	47" < X ≤ 80"	80" < X ≤ 115"	115" < X ≤ 150"
Mounting Bracket	2	3	4	5
Cord Cleat	1	1	1	1
Hold Down Bracket (Optional)	2	2	2	2
1" Screw (For Mounting Bracket)	4	6	8	10
3/4" Screw (For Cord Cleat)	1	1	1	1
3/4" Screw (For Hold Down Bracket)	4	4	4	4

### Step 1:

Choose a blind position (1-Outside mount, 2-Inside mount) and mark the bracket location.



## Getting Started




Remove the blind from the package. Be sure to keep the packaging until the blind operates to your satisfaction. Please take a moment to review the following installation guide for proper installation.

## Recommended Tools

- Measuring Tape
- Pencil
- Level
- Screwdriver
- Power drill

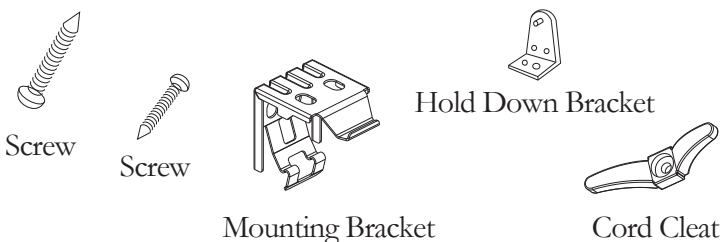


You will need to use the following fasteners for your particular mounting surfaces :

Mounting Surface	Fastener
Wood	1" & 3/4" Rounded Head Screw (Provided) 
Drywall/Plaster	Wall Anchors, Expansion Bolts (Not Provided) 
Metal	Sheet Metal Screws (Not Provided) 

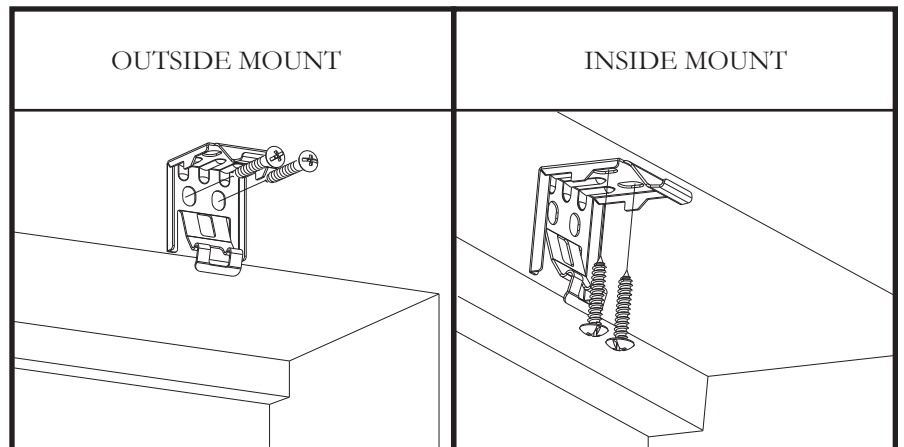
## Check the components :

Ensure that your package contains all of the contents needed for proper installation.



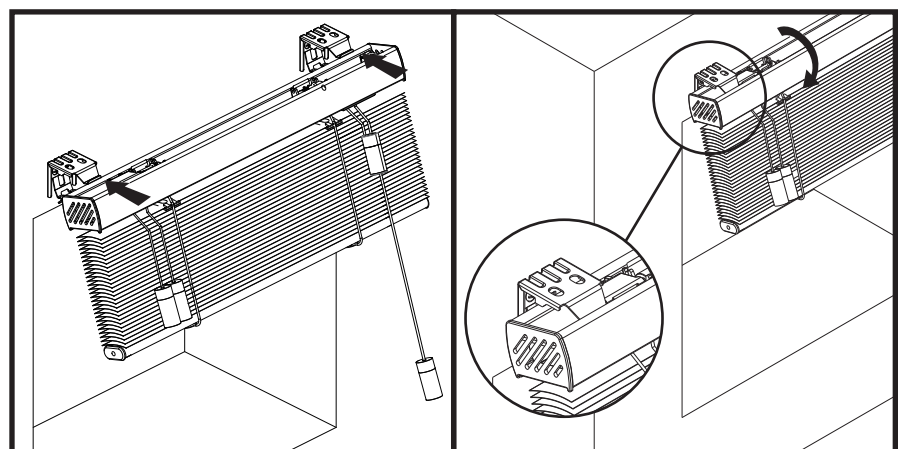
### Step 2:

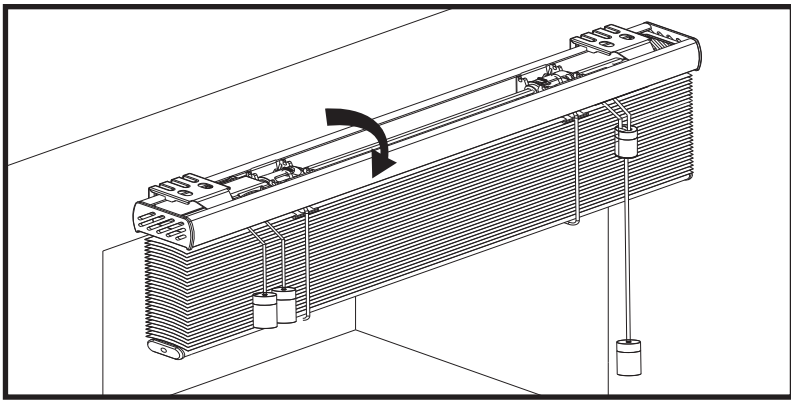
Install mounting brackets



### Step 3:

Install your blind (Note: Push the headrail in towards the brackets to activate the spring-loaded tab and in the same motion tilt the back of the headrail downwards at the angle. Make sure your blind is secure.)

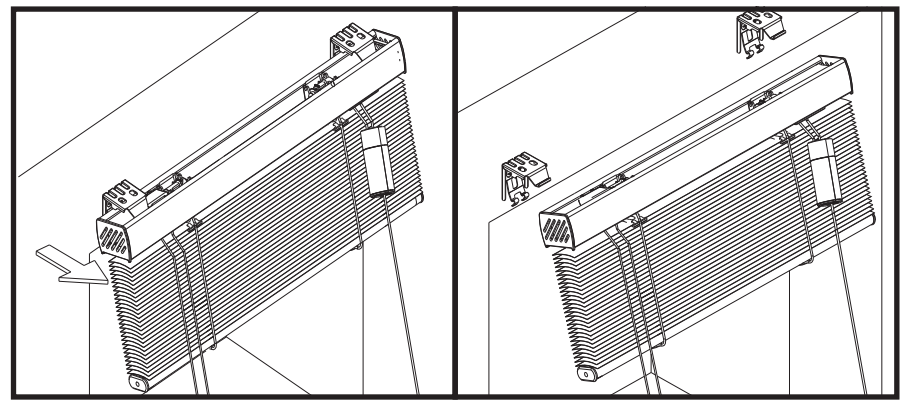




#### Step 4:

Operate your blind.

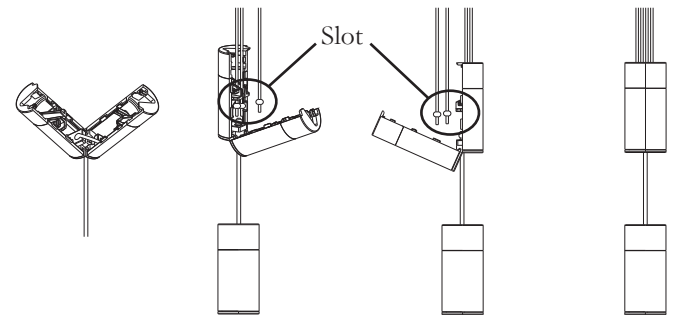
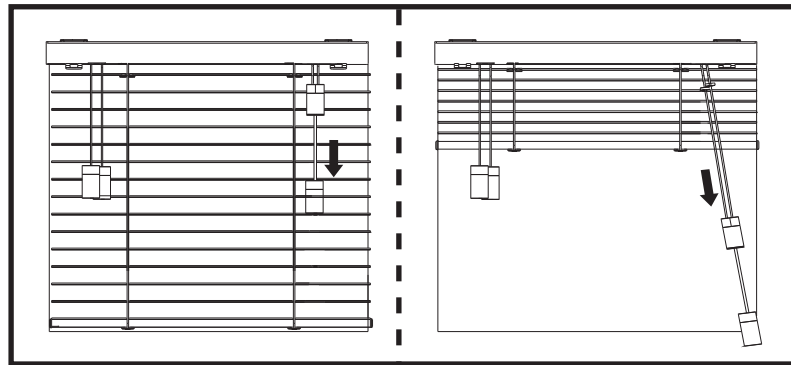
**Cord tilt:** The two cords with individual tassels are for tilting the slats. Each cord tilts the slats in an alternate direction.



#### How to Reassemble Cord Release Device

Our blind comes equipped with a cord release device that prevents child strangulation. Should the cord release device come apart, please refer to below steps:

1. Open cord release device entirely.
2. Align all pull cords and slide them into the slot of cord release device.
3. Snap cord release device together to close.

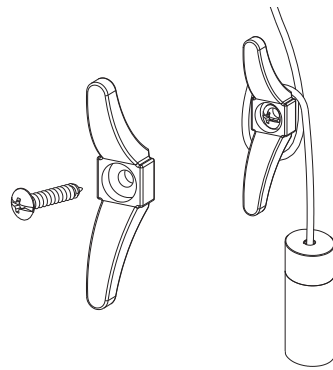


#### Step 5:

Install the cord cleat.

**Note :**

1. Use one 3/4" screws to attach the cord cleat at a height inaccessible to children (take into consideration that a child may stand on furniture when attempting to reach the cords).
2. Wrap excess cord around the cleat every time the shade is raised / lowered.

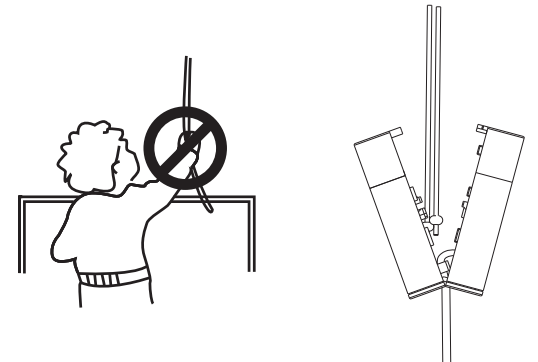


#### CHILD SAFETY Cord Release Device

This device breaks apart when minimal pressure is exerted onto the cords. It also acts as a stopper to prevent the inner cords from being pulled into a loop, which can cause harm to young children. To assemble, slide the knot of each pull cord into the slot of the cord release device, then snap the opposing side into place.

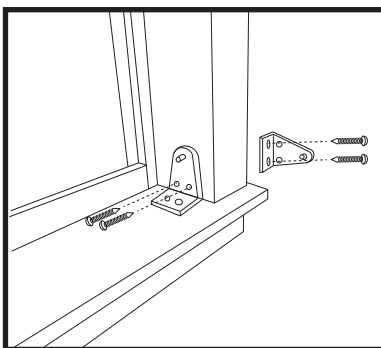
**⚠ WARNING**

Young children can be entangled and strangled in cords. Keep all cords out of children's reach. Cord cleat is provided and should be used.

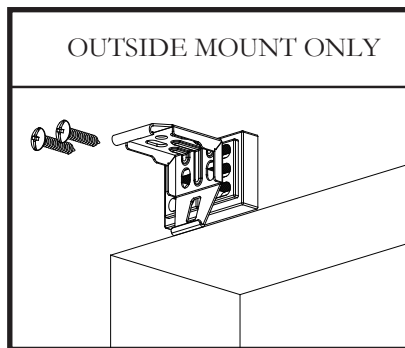


#### Optional:

1. Install hold down bracket.

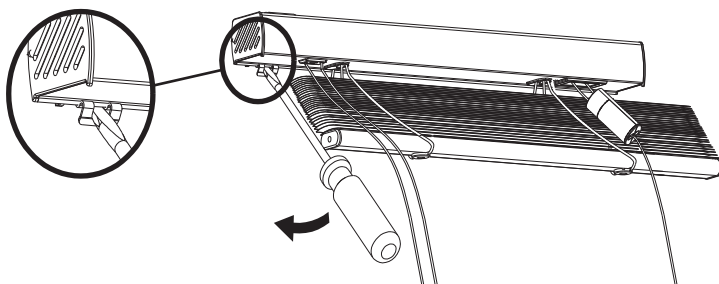


2. Install spacer block with 2" round head screw.



#### Remove the blind:

Use screwdriver insert into the gap of bracket as ①. Then, follow ②~③ direction to release the headrail from bracket. As ④ to take out the blind.



#### Cleaning Instructions :

Routine cleaning will help maintain the beauty of your blinds. To care for your blinds use a clean, dry feather duster, soft cloth or dust mitt to gently wipe the slats individually and flip them over to clean the other side as well. DO not use solvents or abrasive solutions to clean the blind. This will cause damage to the blind.

