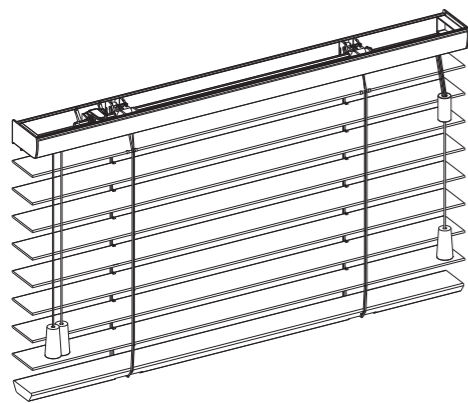


Installation & Maintenance Instructions



Smart Privacy

Getting Started



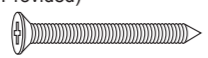
Remove the blind from the package. Be sure to keep the packaging until the blind operates to your satisfaction. Please take a moment to review the following installation guide for proper installation.

Recommended Tools

- Measuring Tape
- Pencil
- Level
- Screwdriver
- Power drill (1/4" hex driver and drill bit)

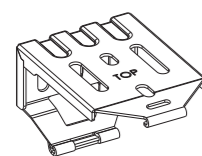


You will need to use the following fasteners for your particular mounting surfaces:

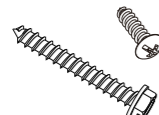
Mounting Surface	Fastener
Wood	1 1/4" Hexagonal Head Screw (Provided) 
Drywall/Plaster	Wall Anchors, Expansion Bolts (Not Provided) 
Metal	Sheet Metal Screws (Not Provided) 

Check Hardware

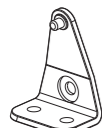
Check your package for contents needed for proper installation.



Installation bracket



Screws



Hold Down Bracket (Optional)



Cord Cleat

Hardware Quantity Standard

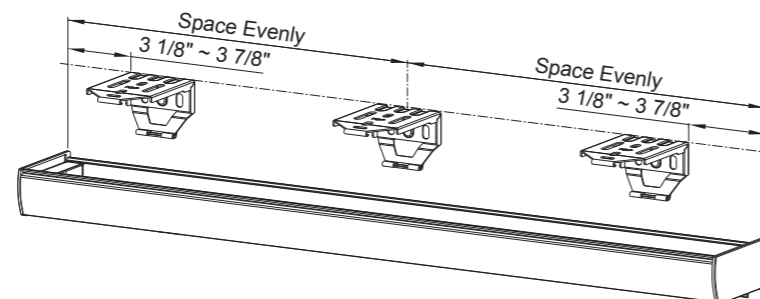
Blind Width (X)	X ≤ 37"	37" < X ≤ 47"	47" < X ≤ 75"	75" < X ≤ 120"
Installation Bracket	2	3	4	5
Hold Down Bracket(Optional)	2			
3/4" Screw for Cord Cleat & Hold Down Bracket	Hold Down Bracket Qty*2 + Cord Cleat Qty			
Spacer Block(Optional)	2	3	4	5
1 1/4" Screw for Installation	4	6	8	10
2" Screw for Installation (when choose spacer block)	4	6	8	10

Note: You may find more hardware parts than you actually need. In that case, feel free to set them aside for future use.

Cord Cleat is included.

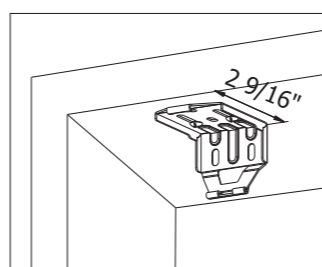
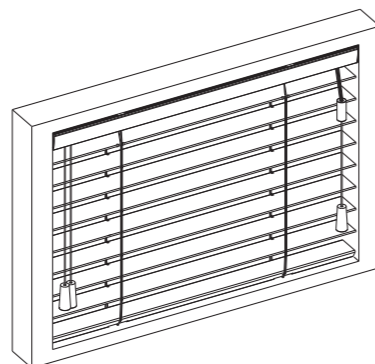
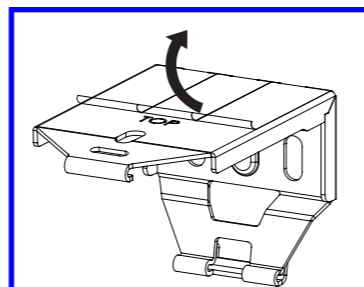
Step 1. Install Brackets

Measure 3 1/8" ~ 3 7/8" from both ends of the head rail. Mark the bracket location on the mounting surface. For easy installation and proper blind operation, use a level to ensure all brackets are alignment.



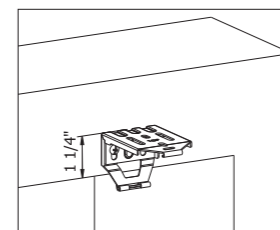
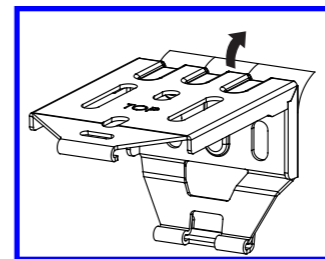
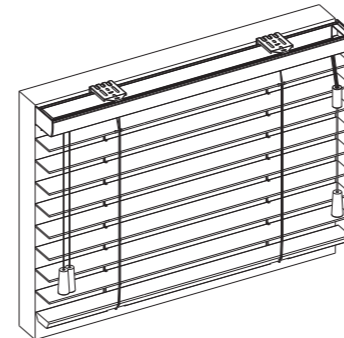
Inside Mount

- Paste the double-side adhesive tapes at the top of brackets. Allocate a min. distance of 2 9/16" from wall to the backside of the brackets.
- Peel off the paper and stick the brackets at the marked location. Use two 1 1/4" mounting screws to secure brackets. Use wall anchors for drywall or plaster wall.
- Attached the installation brackets parallel to the window casement on both sides.



Outside Mount

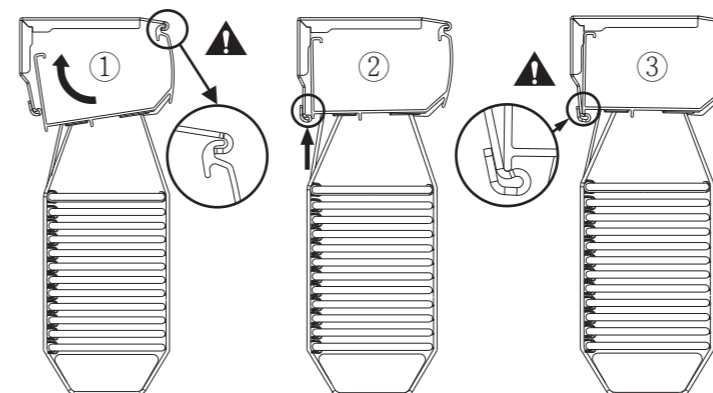
- Paste the double-side adhesive tapes on backside of brackets. Allocate a min. distance of 1 1/4" from the top of bracket to the top window frame.
- Peel off the paper and stick the brackets at the marked location. Use two 1 1/4" mounting screws to secure brackets. Use wall anchors for drywall or plaster wall.
- Recommended: Use a level to double check the brackets are at the same level.



Step 2. Install the Headrail

- Position the head rail at an angle so that it is hooked to the front of the bracket. Then push it upward to snap into the bracket.

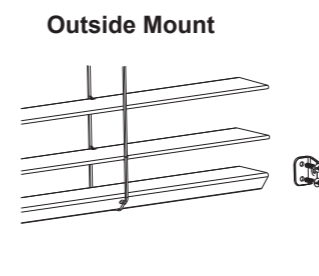
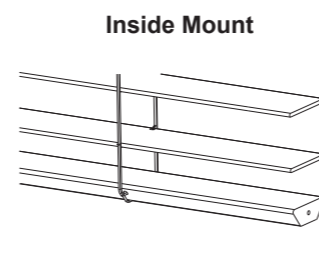
For proper installation, start with attaching the front rail to the bracket.



Step 3. Additional Attachments

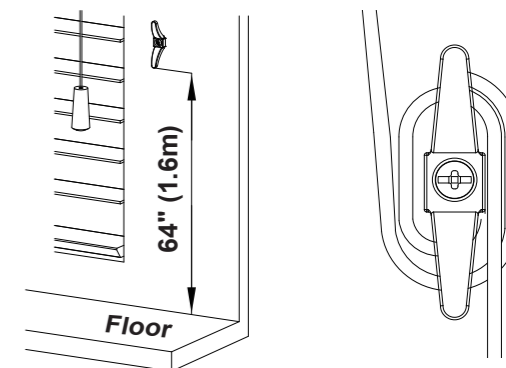
Hold down brackets

- Attach the hold-down brackets against a flat surface, horizontally or vertically, parallel to the bottom rail. Make sure the protruding area is aligned with the hole on the side of the bottom rail. Secure the hold-down bracket into the bottom rail on both sides to keep blinds in desired location.



Cord Cleat

- Install the cord cleat on the wall. Wrap the operating cords around the cord cleat for child safety. Always use the cord cleat to keep cords out of the reach of children. The cleat should be installed more than 64" (1.6 m) from the floor.



WARNING



Young children can **STRANGLE** in cord and bead chain loops. They can also wrap cords around their necks and **STRANGLE**.

- Always keep cords out of children's reach.
- Move cribs, playpens, and other furniture away from cords and bead chains. Children can climb furniture to get to cords.
- Always wrap the cords around the cleats in a figure eight, up high, out of reach of children.

MISE EN GARDE

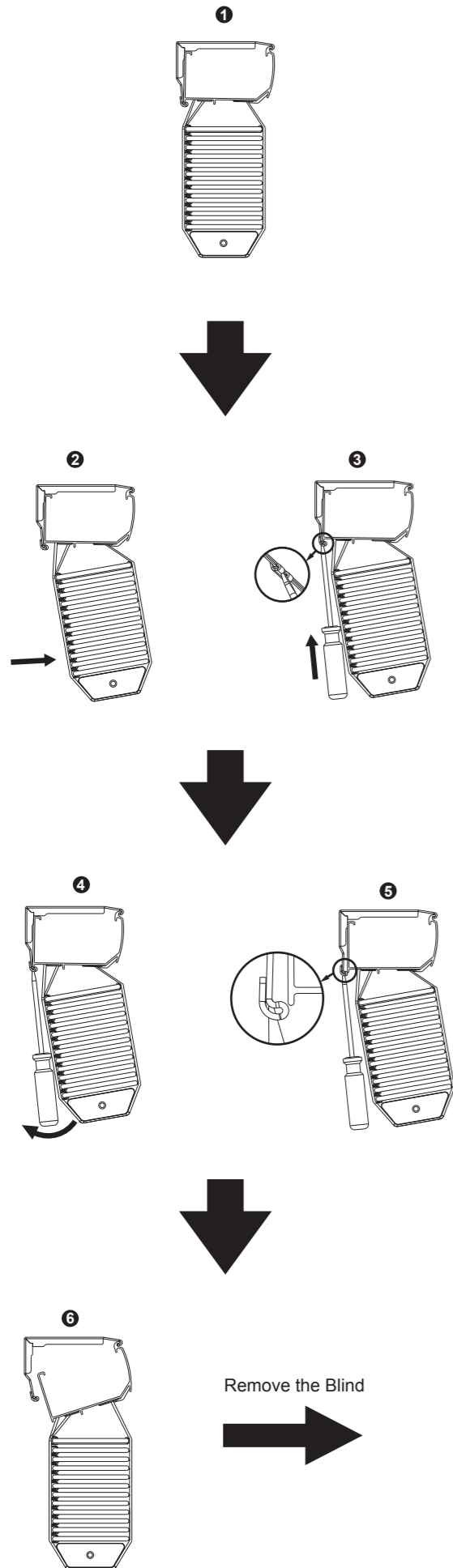


Un jeune enfant peut s'**ÉTRANGLER** avec la boucle d'un cordon ou d'une chaînette. Il peut aussi enrouler le cordon autour de son cou et s'**ÉTRANGLER**.

- Gardez toujours les cordons hors de portée des enfants.
- Éloignez les lits et parcs de bébé, ainsi que toute autre pièce de mobilier, des cordons et des chaînettes. Un enfant peut grimper sur un meuble pour atteindre les cordons.
- Enroulez toujours les cordons en noeud en huit autour du taquet de cordon, placé haut et hors de portée des enfants.

Step 4. Remove the Blind

- Gently pry the bracket off the head rail with a flat screwdriver as below drawing.



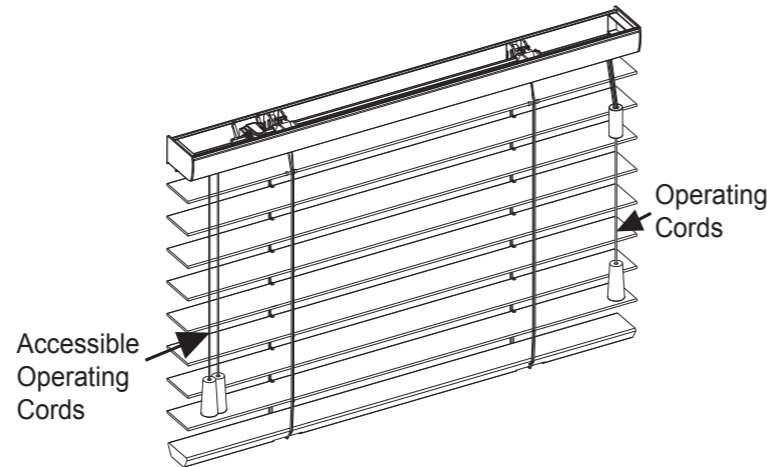
Step 5. Operate Your Blind

Accessible Operating Cords

- Each cord with individual tassel, when pulled, will tilt the slats in alternate directions.

Operating Cords

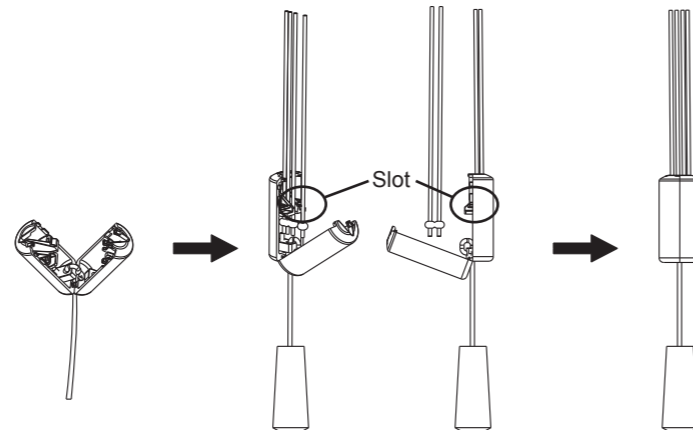
- Pull the cord to raise and lower the blind. The slats need to be open when lowering the blind. **When raising the blind, we recommend that you gently tilt the slats toward you before raising the blind.** The proper way to raise the blind is to support bottom rail with your hand while pulling on the cords. Pull the cord toward the outside of the blind to lock the position. Pull toward the center to release the blind from the locked position. **There are 2 easy ways for you to line up the SmartPrivacy™ slats.**
1. Fully raise the blind and tap on both ends until slats are lined up. OR
2. Raise and lower the blind several times and the blind will self-align.



How to Reassemble Cord Release Device

Our blind comes equipped with a cord release device that prevents child strangulation. Should the cord release device come apart, please refer to below steps:

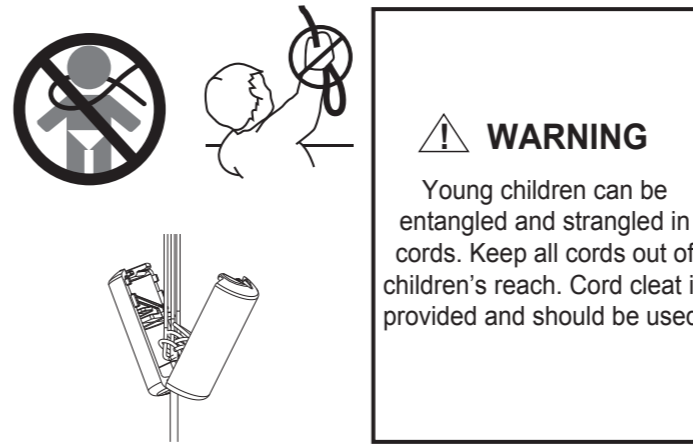
- Open cord release device entirely.
- Align all operating cords and slide them into the slot of cord release device.
- Snap cord release device together to close.



CHILD SAFETY

Cord Release Device

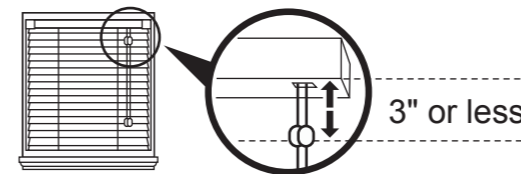
This device breaks apart when minimal pressure is exerted onto the cords. It also acts as a stopper to prevent the inner cords from being pulled into a loop, which can cause harm to young children. To assemble, slide the knot of each operating cords into the slot of the cord release device, then snap the opposing side into place.



Cleaning Instructions

Perform periodic simple cleaning of your blind will keep your blind looking its best for the years to come. There are two ways to clean. You can dust it with a duster or dusting mitten, or simply use a soft cloth slightly moisten with lukewarm water to wipe down the slats. You can clean it with the blind hanging on the window, or you can take it down completely. By tilting the slats down but not fully closed, you will be able to clean most of the top surface of each slat. **Do not use detergent or abrasive cleaning solutions to clean the blind since it will likely cause damage to the blind.**

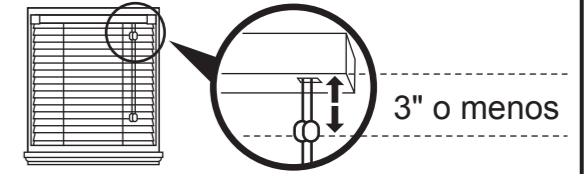
! WARNING



Inner cords can pull out to form a loop, which can strangle a young child.

- Inner cord stop devices can reduce this risk if positioned correctly on the operating cords.
- If inner cord stop devices are more than 3" (76 mm) below the headrail when the blind is fully lowered, move them closer by following the inner cord stop device adjustment instructions.

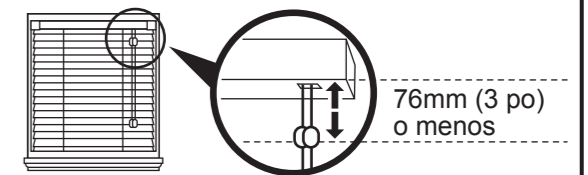
! ADVERTENCIA



Las cuerdas internas pueden sacarse para formar un lazo en que puede **ESTRANGULARSE** un niño pequeño.

- Los dispositivos de paro de la cuerda interna pueden disminuir este riesgo si están situados correctamente en el halado de las cuerdas.
- Si los dispositivos de paro de cuerda interna son más de 3 pulgadas (76 mm) por debajo del riel superior cuando está bajada o completamente la persiana, muévalos siguiendo las instrucciones del ajuste de paro de cuerda interna.

! MISE EN GARDE



Les cordons intérieurs peuvent sortir pour former une boucle et **ÉTRANGLER** un jeune enfant.

- Les dispositifs d'arrêt des cordons intérieurs peuvent diminuer ce risque s'ils sont placés correctement sur les cordons.
- Si les dispositifs d'arrêt des cordons sont situés à plus de 76 mm (3 po) en store est complètement baissé, rapprochez-les en suivant les instructions de réglage du dispositif d'arrêt du cordon intérieur.