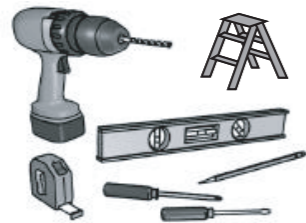


Installation & Maintenance Instructions

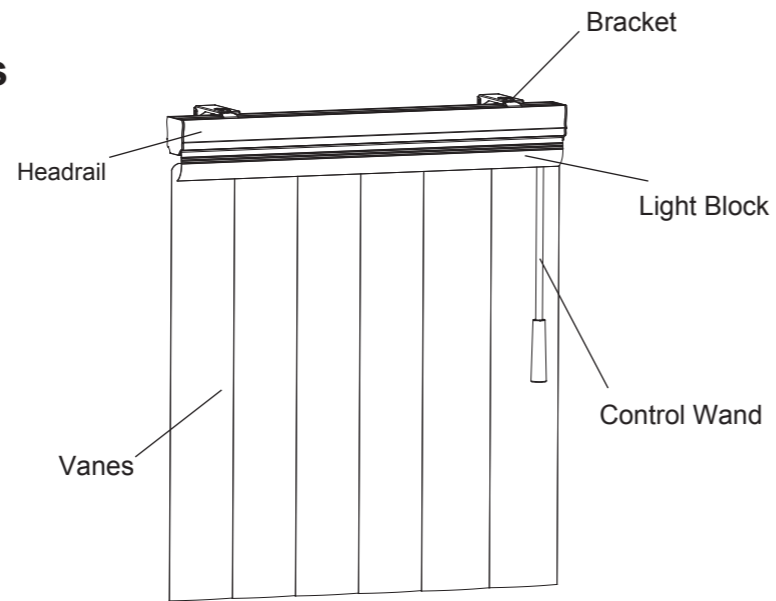
Thank you for purchasing this quality product. Please take a moment to review the following installation guide. Properly installed, your new product will provide you with years of beauty.

Recommended Tools:

- Measuring Tape
- Pencil
- Level
- Screwdriver
- Ladder
- Power Drill: 1/4" hex driver, 1/8" drill bit (Drywall), and 1/4" drill bit (Wall Anchors)






Overview :

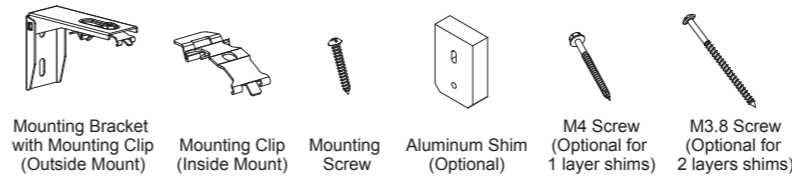


Check the components :

You will need to use the following fasteners for your particular mountingsurfaces:

Mounting Surface	Fastener
Wood	1 1/4" Rounded Head Screw (Provided) 
Drywall / Plaster	Wall Anchors, Expansion Bolts (Not Provided) 
Metal	Sheet Metal Screws (Not Provided) 

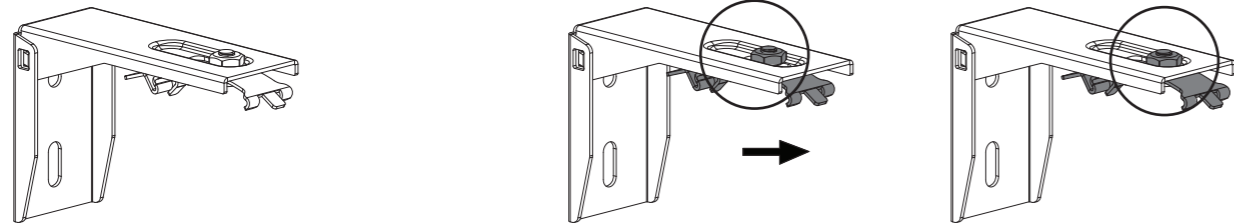
Ensure that your package contains all of the contents needed for proper installation.



Blind Width	X ≤ 47 7/8"	47 7/8" < X ≤ 78"	78" < X ≤ 120"
Mounting Bracket with Mounting Clip (Outside Mount)	2	3	4
Mounting Clip (Inside Mount)	2	3	4
Mounting Screw (Outside Mount)	4	6	8
Mounting Screw (Inside Mount)	2	3	4
Shim (Optional for 1 layer)	2	3	4
Shim (Optional for 2 layers)	4	6	8
M4x48mm Outer Hexagonal Screw (Optional for 1 layer shims)	4	6	8
M3.8x63.5mm Round Head Screw (Optional for 2 layers shims)	4	6	8

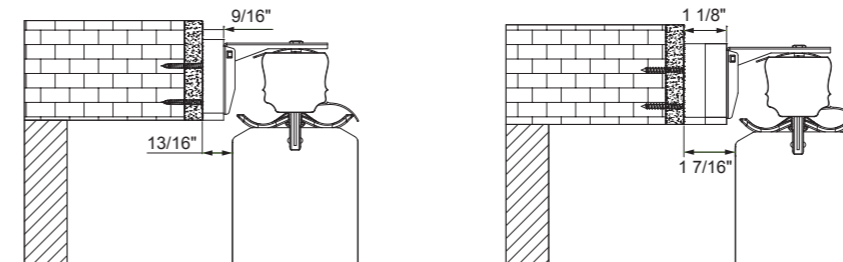
For Outside Mount, please use the Mounting Bracket & Mounting Clip.

Please adjust the position of mounting clip to the front as shown in the drawing below before installing as an Outside Mount.



For Outside Mount with shim (Optional)

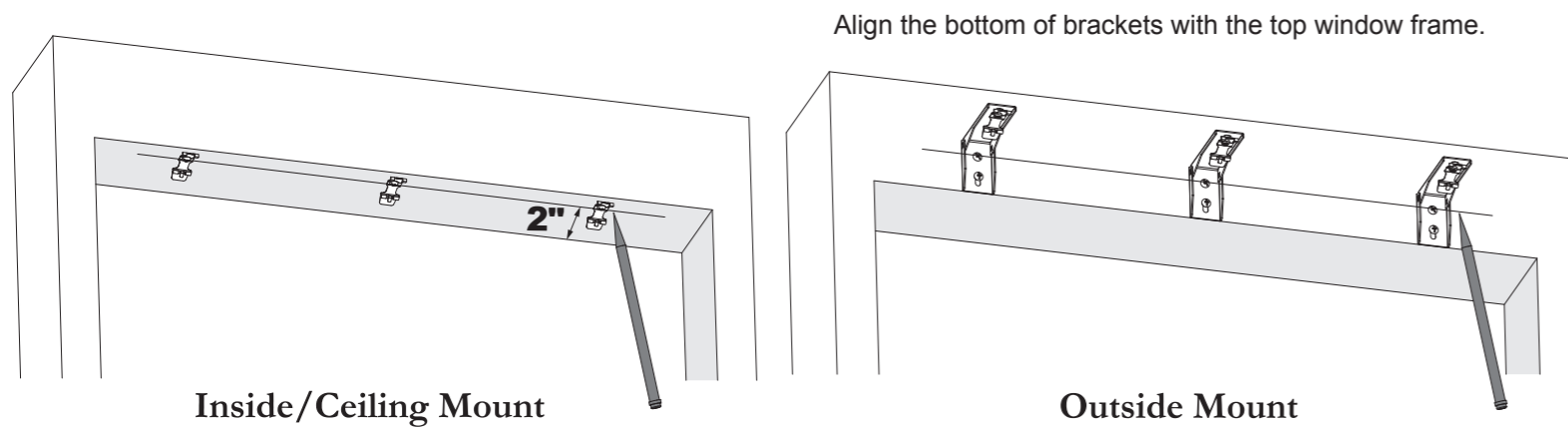
Please use the Mounting Bracket & Mounting Clip along with the optional shims.



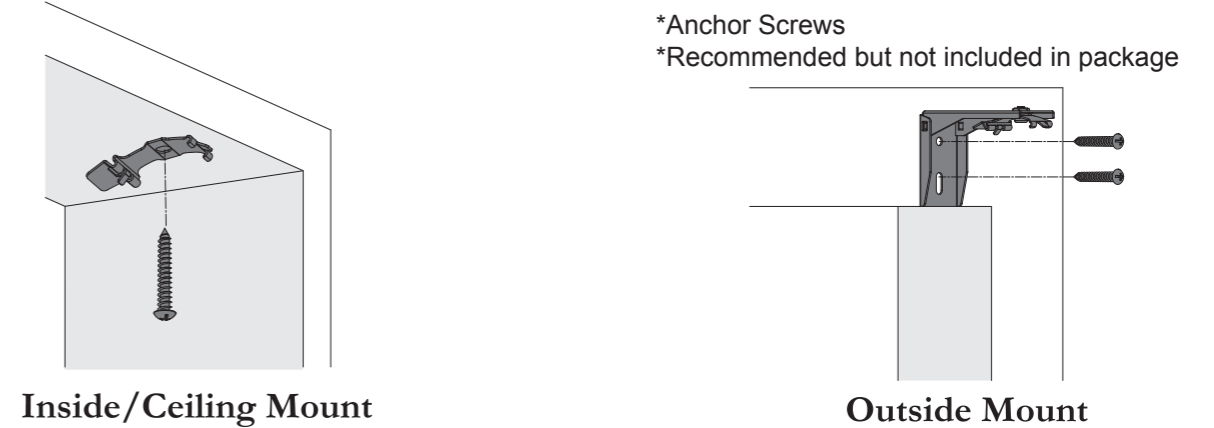
For Inside/Ceiling Mount, please use the Mounting Clip only.



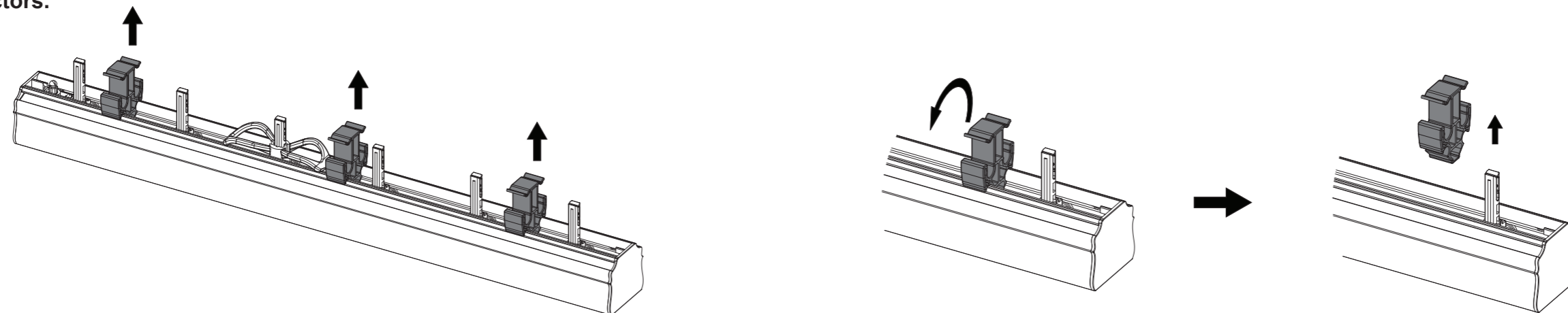
1: Position blind.



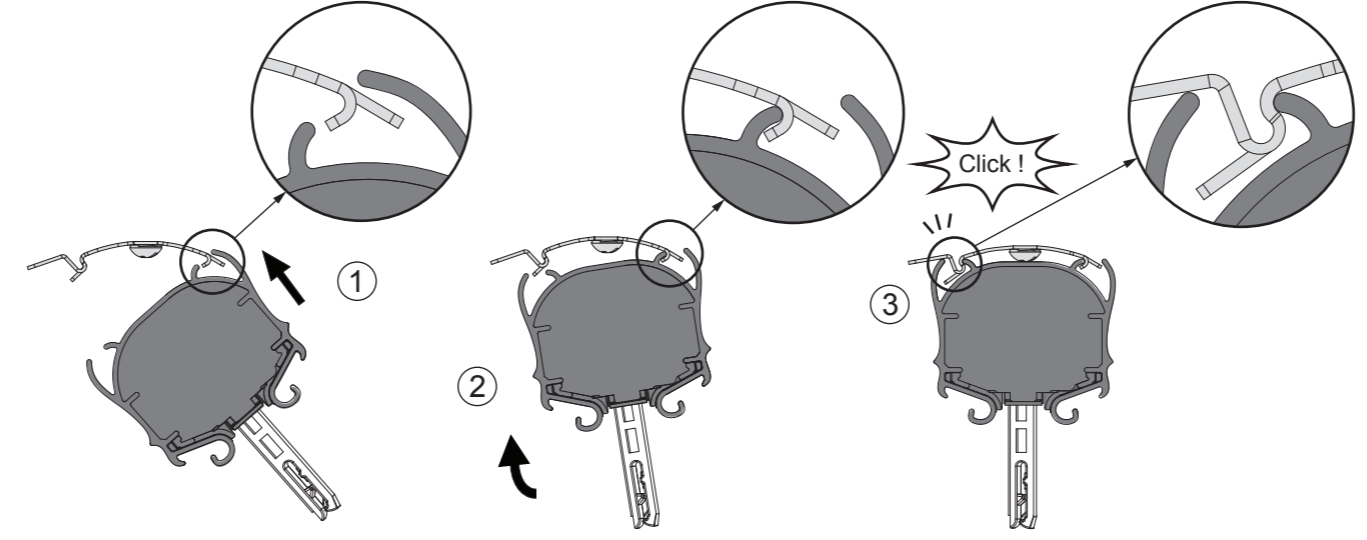
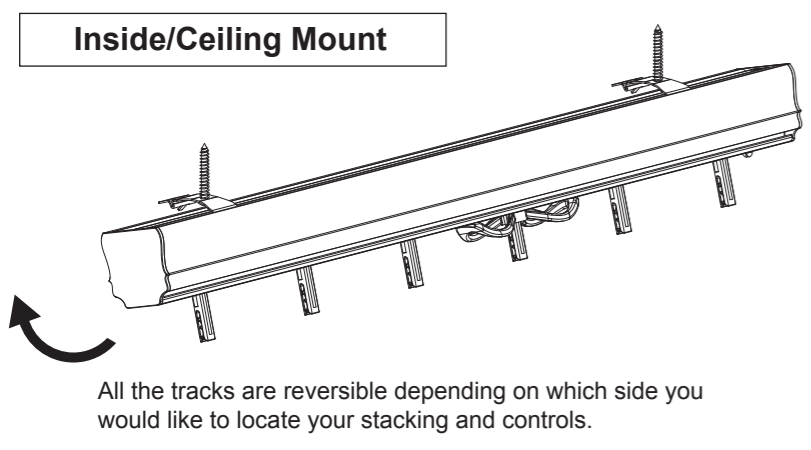
2: Attach brackets to wall or window moulding.



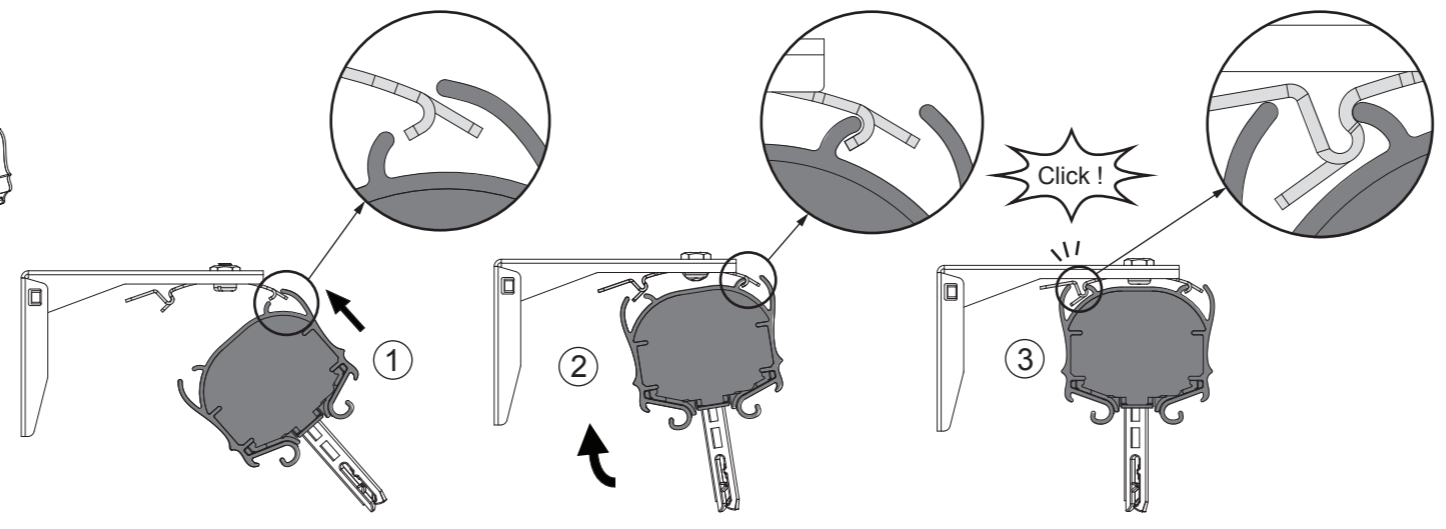
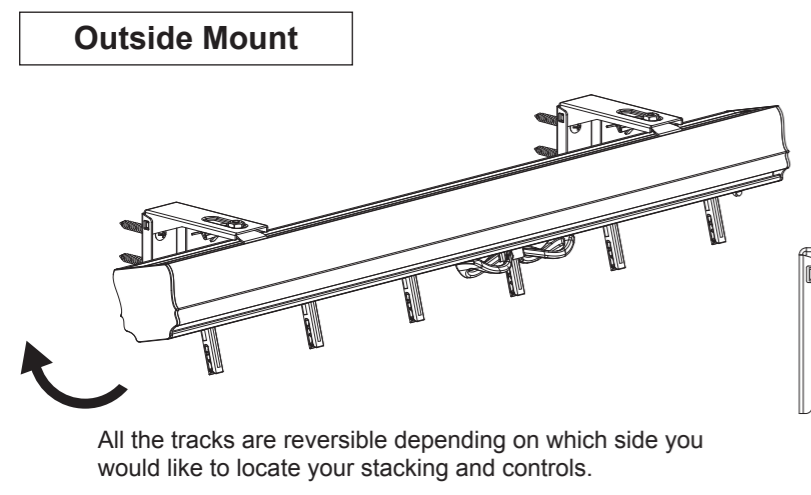
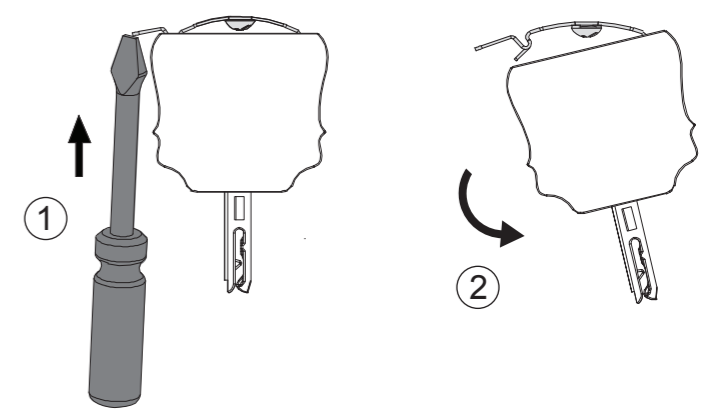
3: Remove all protectors.



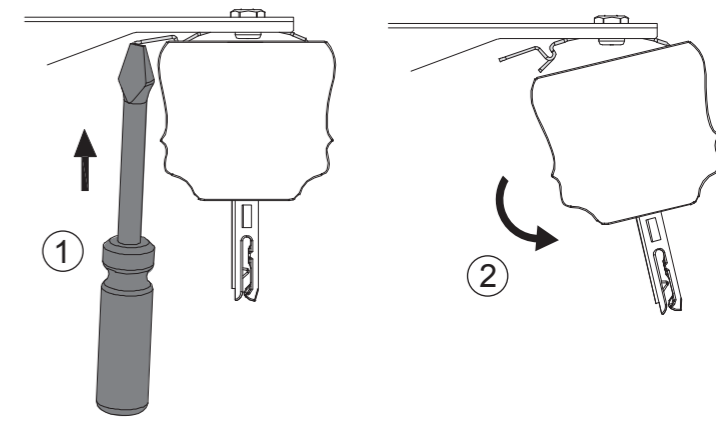
4: Attach track into brackets.



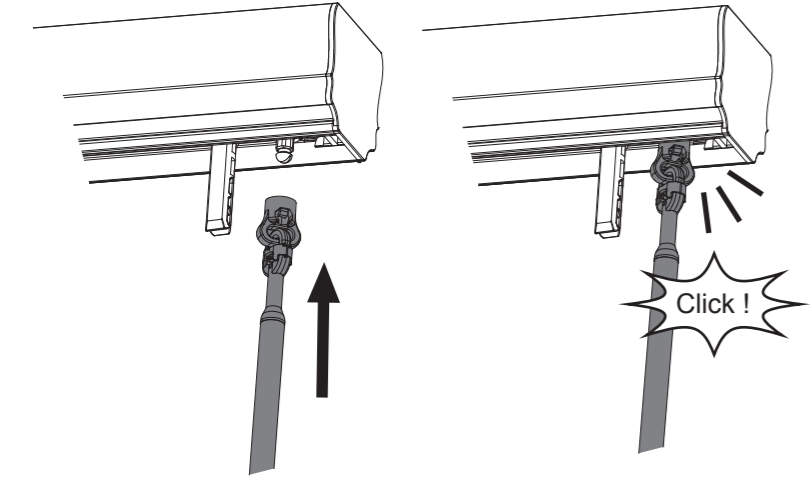
Dismount track from brackets.



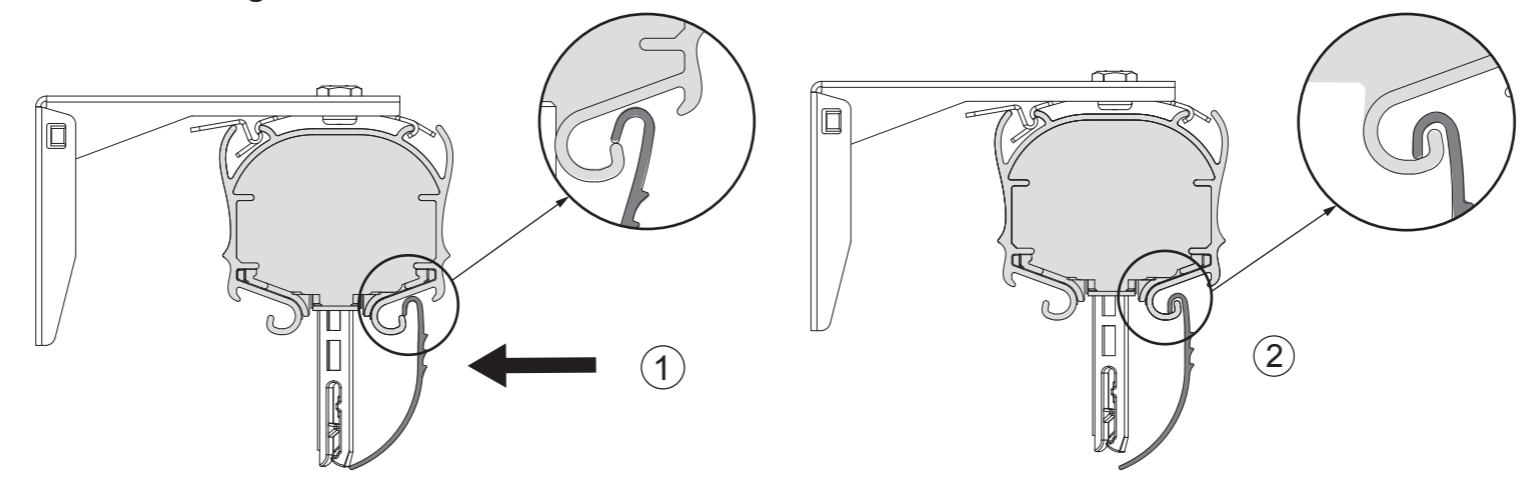
Dismount track from brackets.



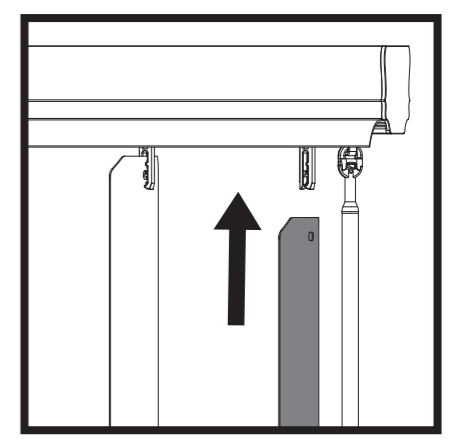
5: Attach wand.



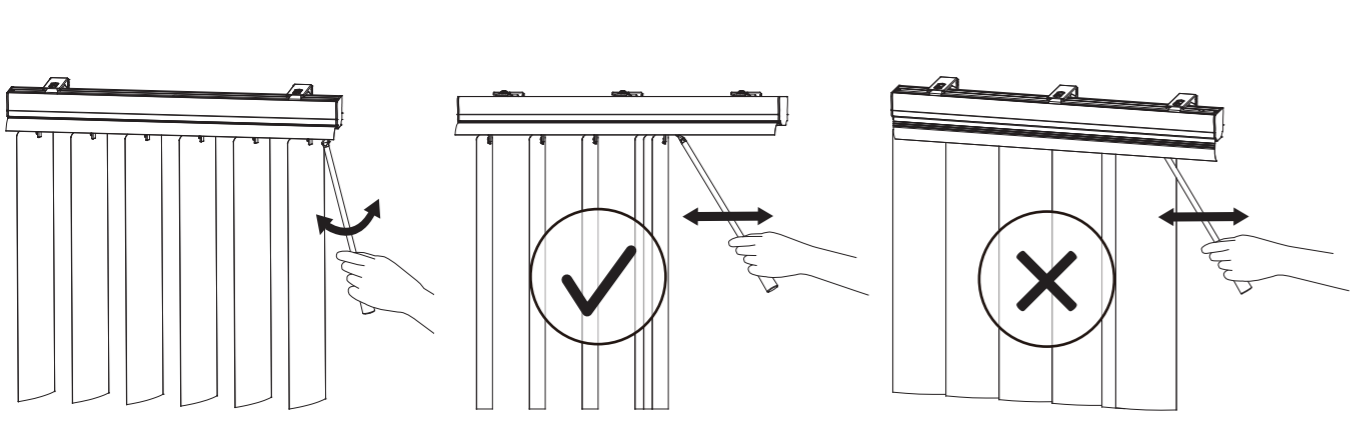
6: Attach the light block to track.



7: Insert Vanes in open position With arch face towards the wand tilter.

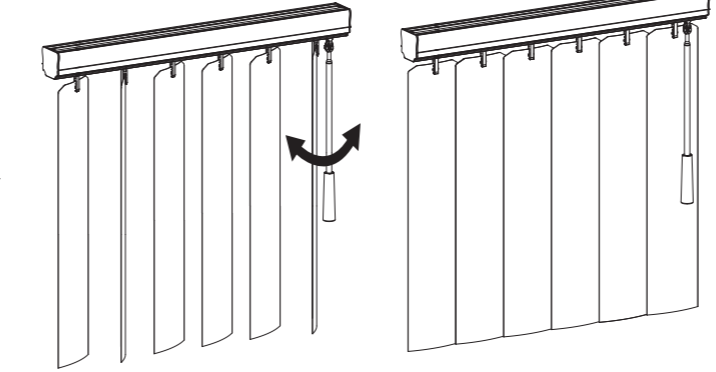


8: Operate your vertical blind.

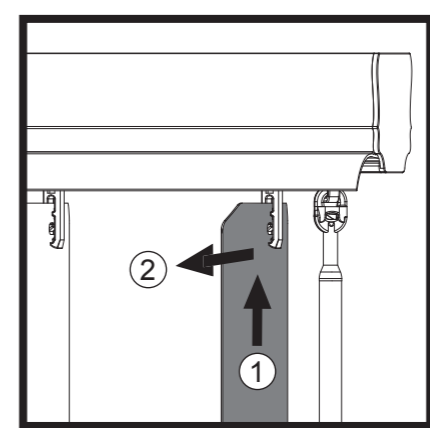


(Vanes) Auto-alignment Function.

If the vanes are out-of-sync, turn the wand complete clockwise then counter clockwise. The vanes will return to its normal position.



Remove your Vanes.



Maintenance for your vertical blinds.

Care for Your Vertical Blinds: PVC vanes can be cleaned with a damp cloth.

